



AKAI

**DVD-RECIVER
WITH TFT MONITOR**

Model:
DDV-806

SERVICE MANUAL

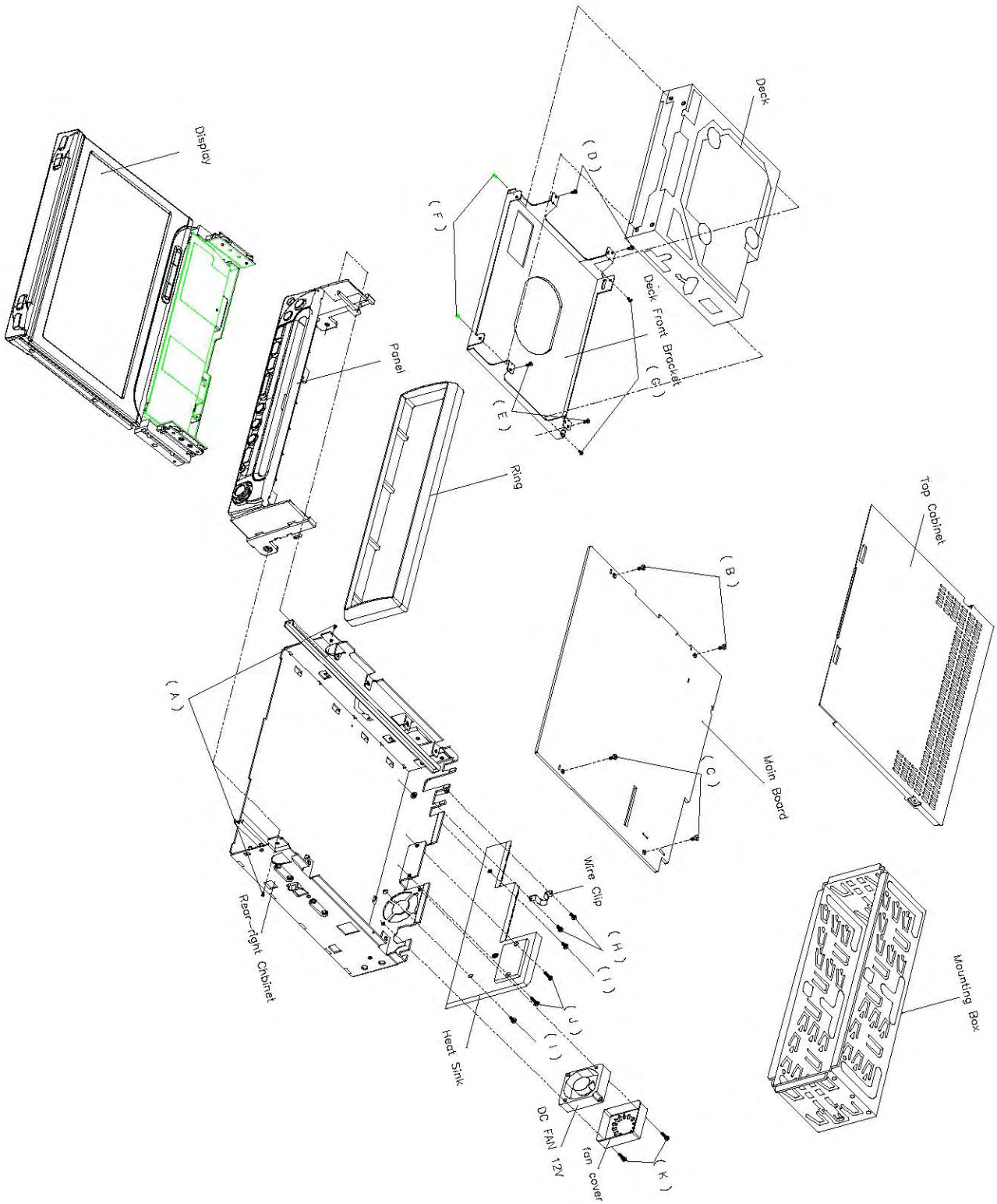
CONTENTS

	Page
Disassembly Instructions	3
Disassembly Diagram.....	7
Operation Check	8
Block Diagram	9
Alignment Locations	10
Alignment Procedures	11
Printed Circuit Board.....	12
Exploded View (Display).....	32
Exploded View Part List (Display).....	33
Exploded View (Unit)	35
Exploded View Parts List (Unit)	36
Exploded View (TV7020).....	38
Exploded View Part List (TV7020).....	39
Exploded View (Deck)	40
Exploded View Part List (Deck)	41
Schematic Diagram	43
Electrical Parts List.....	52
Specifications.....	74

DISASSEMBLY INSTRUCTIONS (UNIT)

1. Using the unlock key that came with the unit or a similar tool, unlock the Mounting Box and remove toward the rear of the unit.
2. Take out the Ring and remove two screws (A) from each side of the base then remove the Base.
3. Remove two screws (B) located on the Main Board left side of the side bracket.
Remove two screws (C) located on the Main Board Right side of the side bracket.
4. Remove two screws (F) located on the Under of the deck front Bracket .
Remove two screws (G) located on the front of the deck front bracket then remove the Deck Bottom Bracket.
5. Remove two screw (H) and the Wire Clip.
6. Remove the screws (I) from on the Rear of the under side bracket then remove heat sink.
Remove the screws (J) from on the Rear of the top side bracket then remove heat sink.
7. Remove two screws (K) from on the back of the Rear-right Cabinet then remove the DC FAN 12V and The Fan Cover.

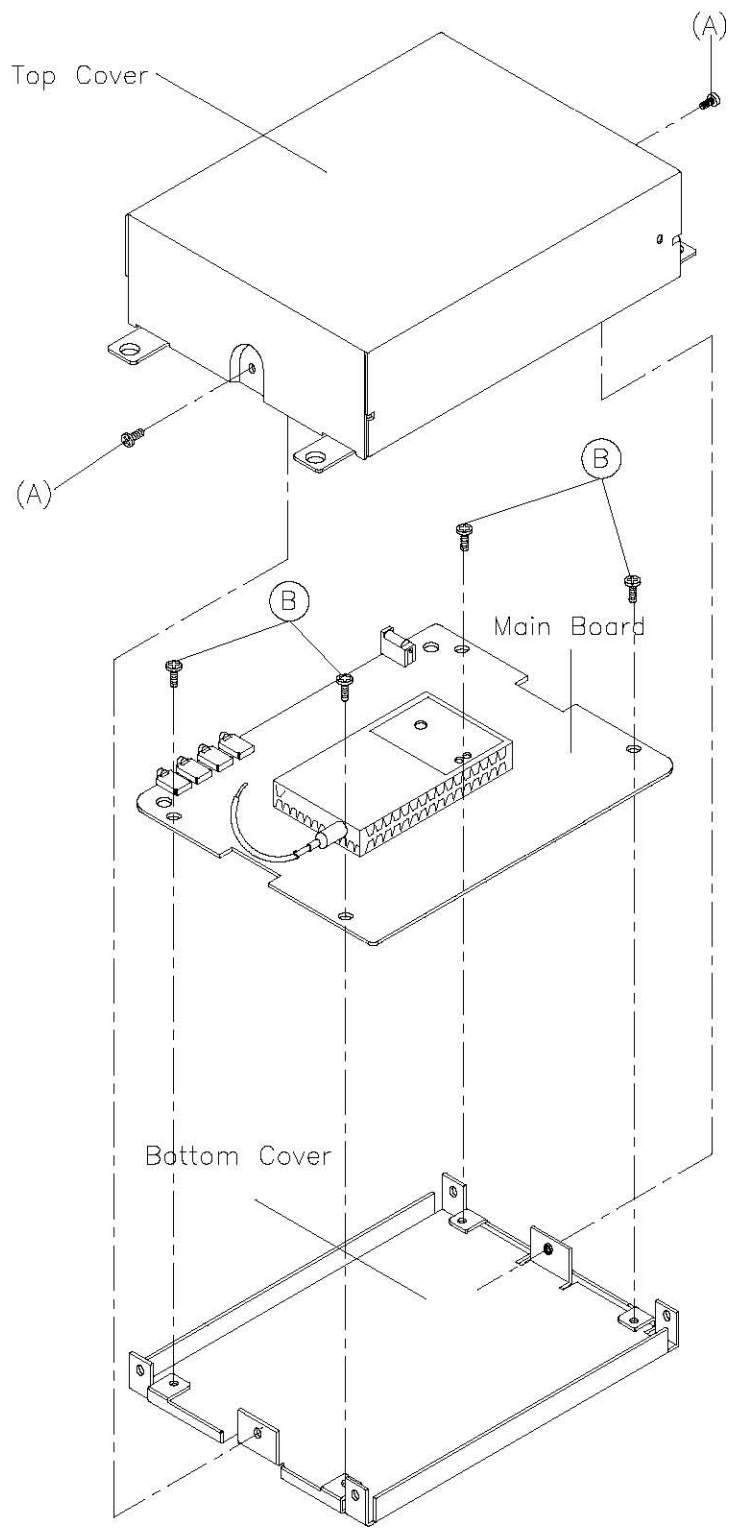
DISASSEMBLY DIAGRAM (UNIT)



DISASSEMBLY INSTRUCTIONS (TV7020)

1. Remove two screws (A) from each of the Top Cover then remove the Top Cover.
2. Remove four screws (B) from on the main board then remove the Bottom Cover and Main Board.

DISASSEMBLY DIAGRAM (TV7020)



OPERATION CHECK

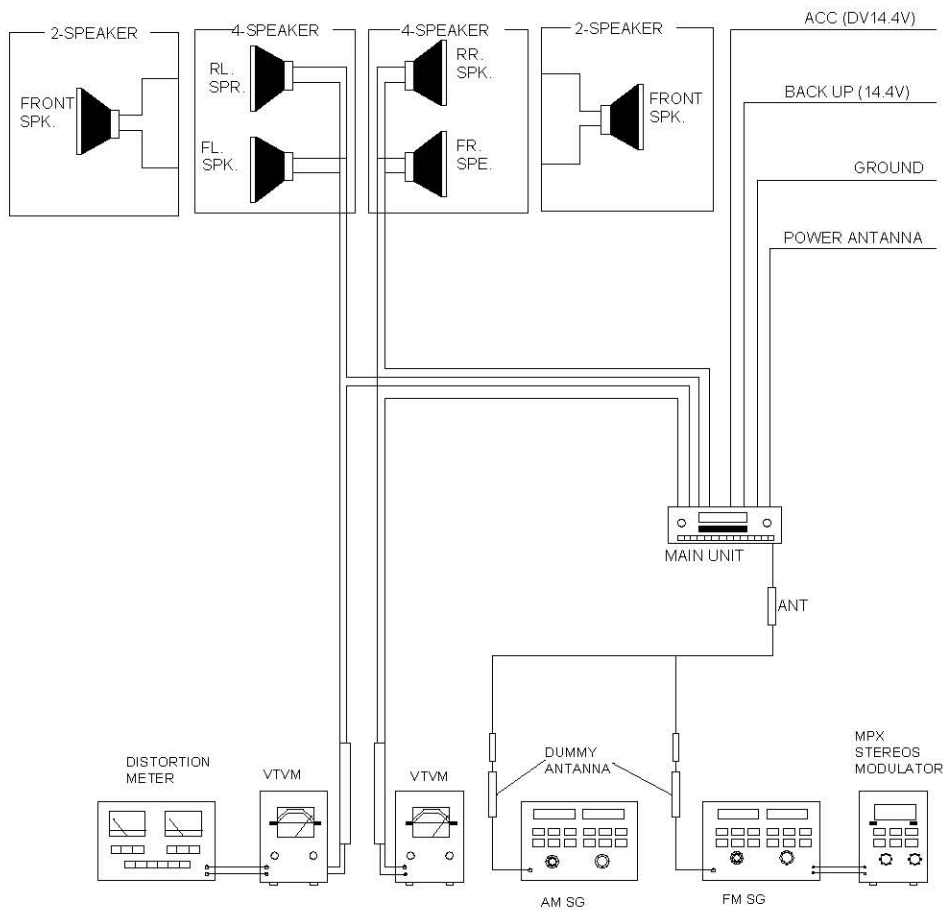
GENERAL SPECIFICATIONS OF SIGNAL

Standard frequency	FM	98.1 MHz (65.0, 74.0MHz) (87.5, 108.0 MHz)
	MW	1000 kHz (522, 1620 kHz)
Signal output	FM	1mV
	MW	5 mV
Modulation	MW	400 Hz 30% MOD.
	FM Stereo	1 kHz 75kHz DEV.
		46% for L only or R only pilot level 8%

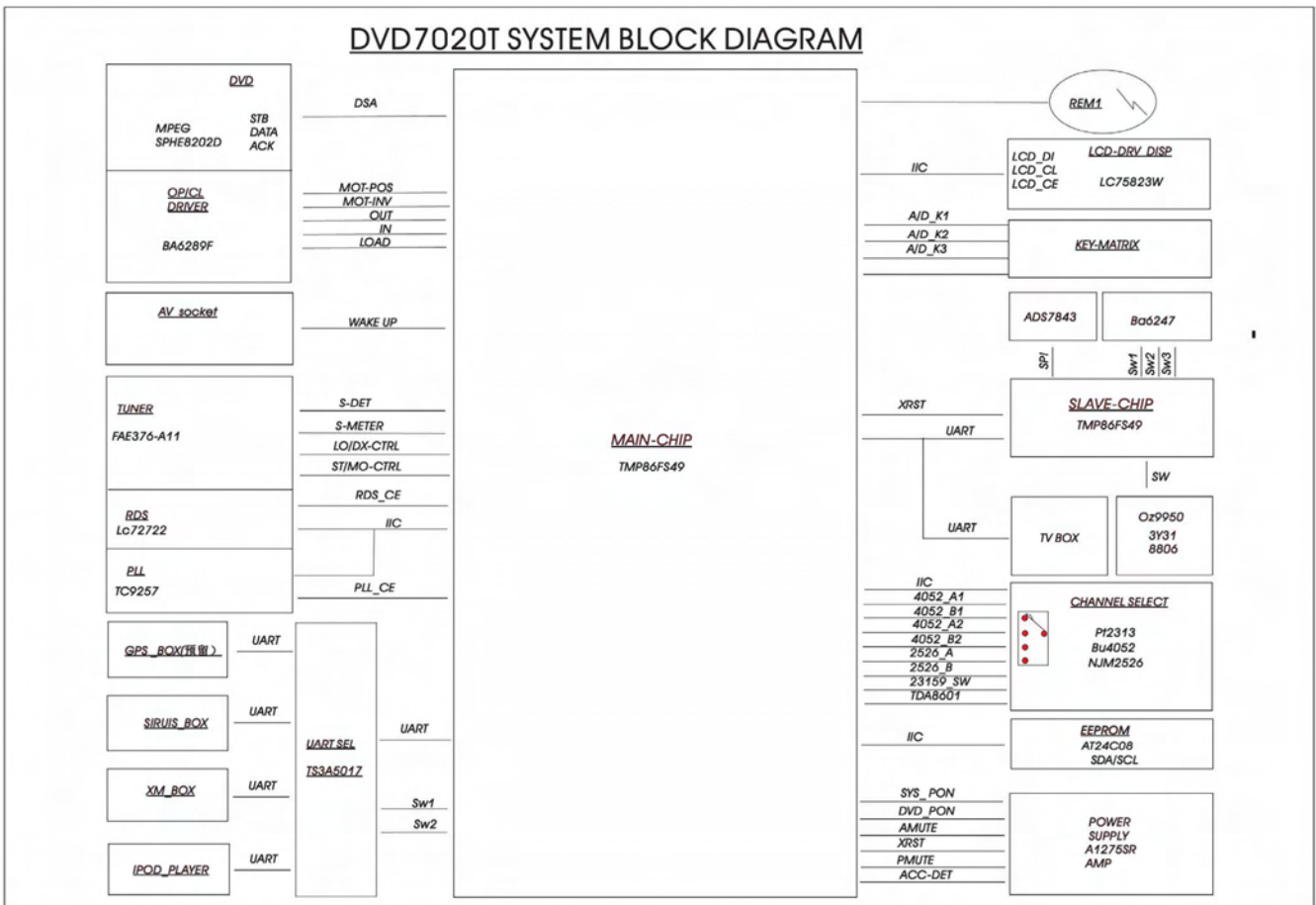
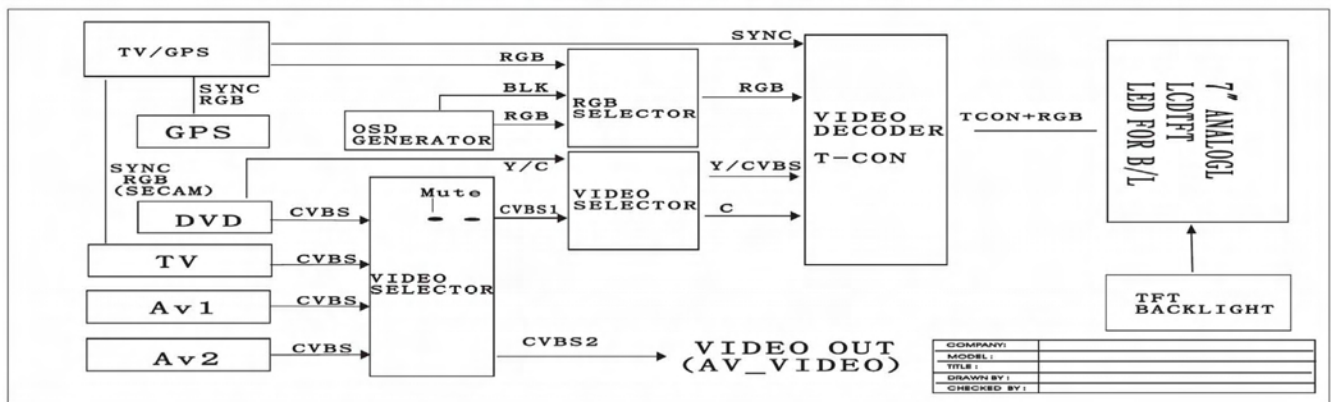
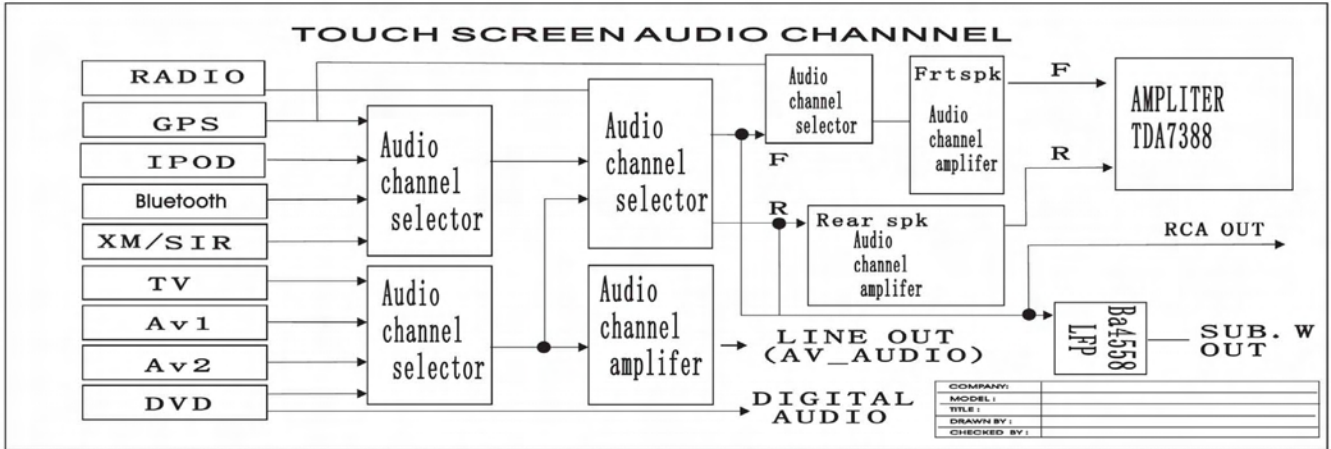
AF output level	FM/MW
Power source voltage	DC 14.0V (Backup voltage is the same as this)
AF load impedance	4 ohm pure resistance
Balance	Center position of level
Tone	Center position

The signal strength read in this section is voltage on the antenna.

Test Diagram

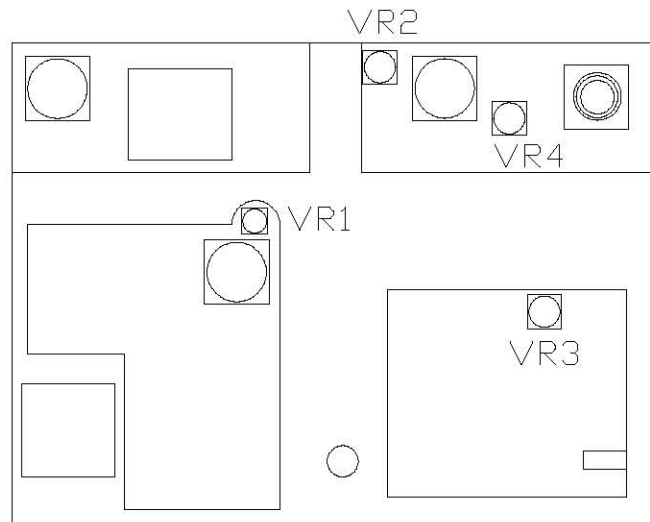


BLOCK DIAGRAM (UNIT)



ALIGNMENT LOCATIONS

MITSUMI TUNER



ALIGNMENT PROCEDURES

FM ADJUSTMENT

Equipment Required

- AM IF/RF signal generator
- Solid-state voltmeter (SSVM)
- Regulated DC power supply
- 2-CH voltmeter
- Distortion meter

FM Alignment Using FM Signal Generator

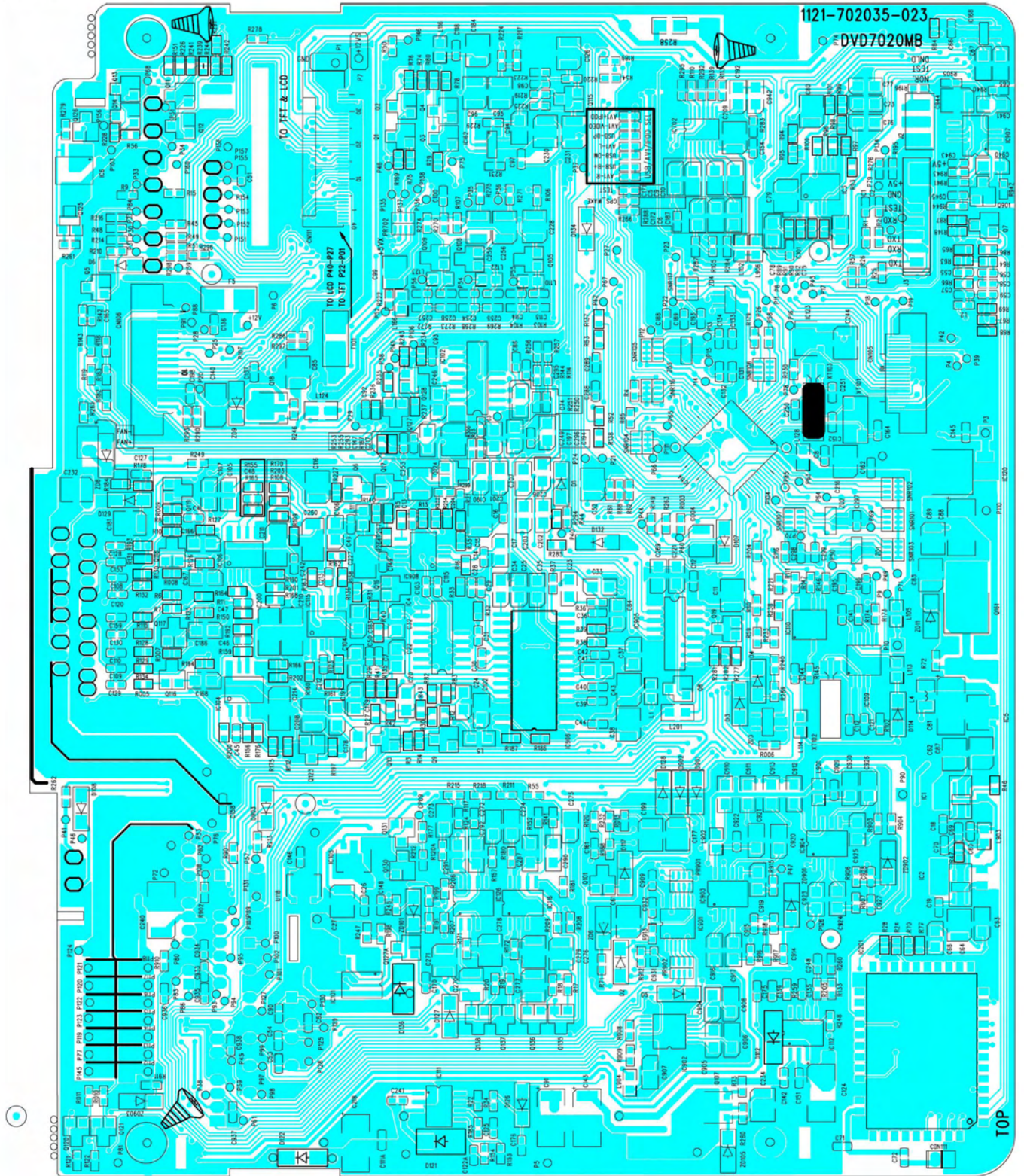
Note: Press the radio power switch to on the radio. Signal generator output must be kept as low as possible to avoid overload and clipping.

Step	Generator Coupling	Generator	Display Setting	Adjustment	Remarks
Stereo Separation	Signal Generator to antenna receptacle	98.1 MHz Int. 1 kHz Dev. 75 kHz L+R = 90 % pilot = 10 %	98.1 MHz	VR3	Adjust AF output power at maximum separating more than 30 dB
FM SNC Adjustment	98.1 MHz Dev. 75 kHz L+R=90 % Int. 1 kHz 60dB μ V output	98.1 MHz @ 40 dB μ	98.1 MHz	VR2	Stereo Separation 25 dB (\pm 5 dB)
Stop SENS.	Signal Generator to antenna receptacle	98.1 MHz Mod. 1kHz Dev 75kHz	98.1 MHz	VR4	Adjust AF to stop station.
		1000 kHz Mod. 1kHz Mod 30%	1000 kHz	VR1	

Note: The tuner module is well-adjust and adjustment is not recommended.

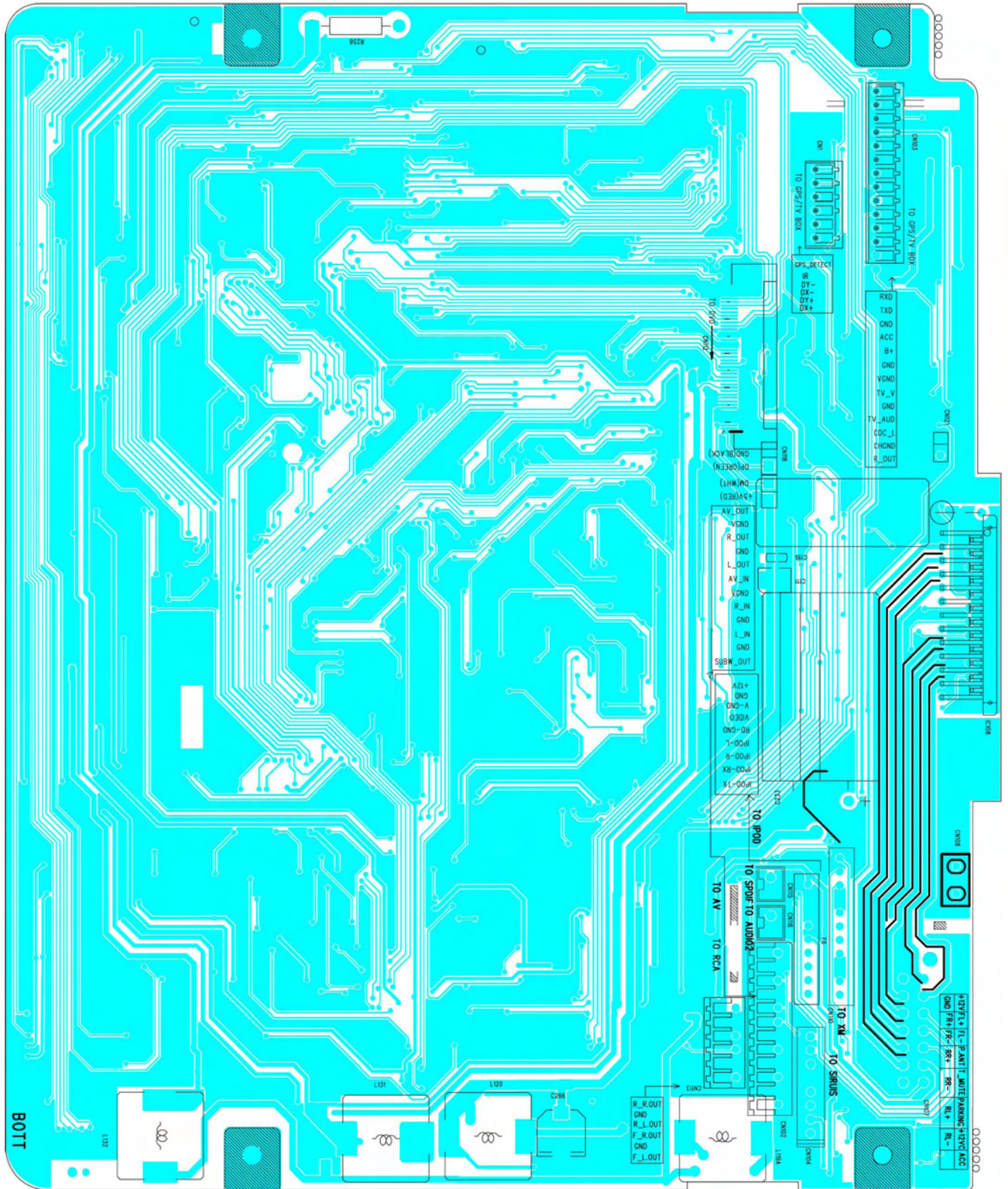
PRINTED CIRCUIT BOARDS

MAIN BOARD



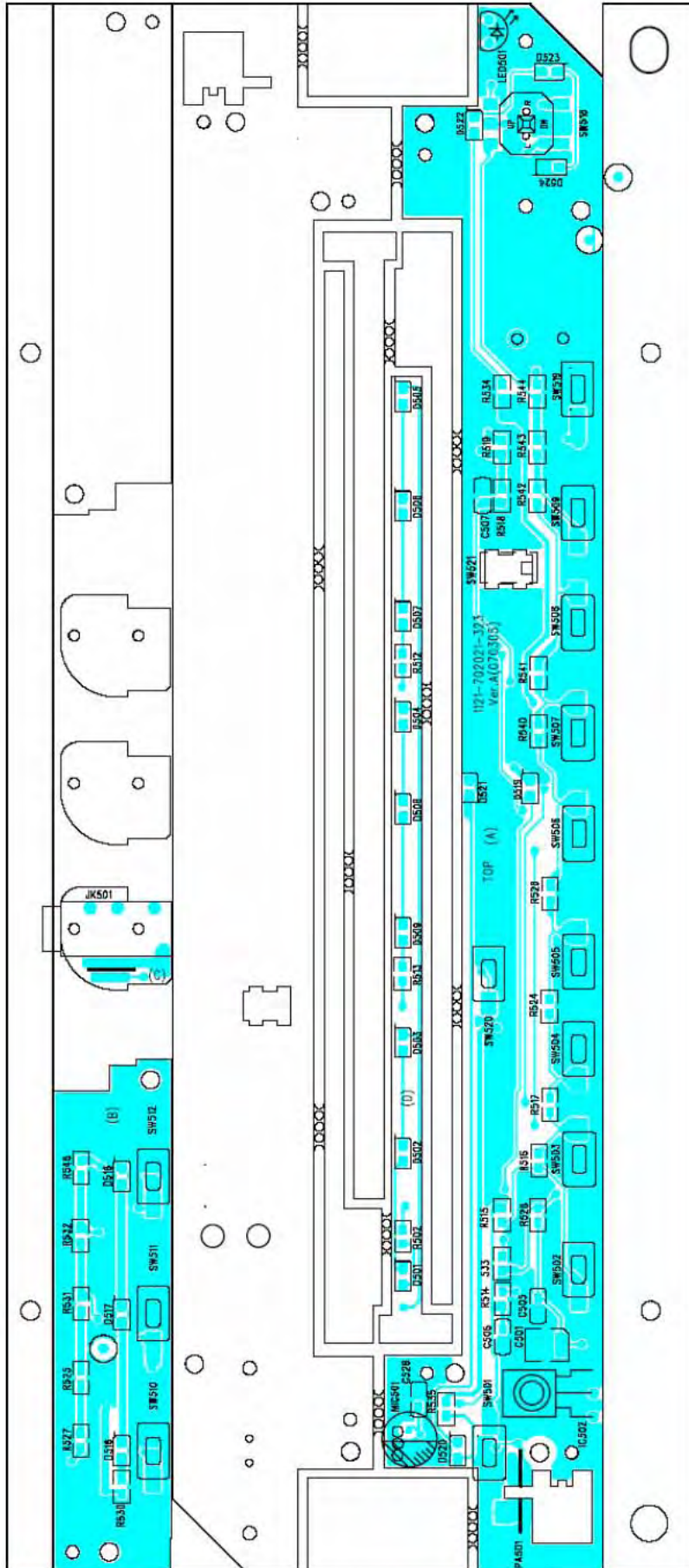
TOP VIEW

MAIN BOARD



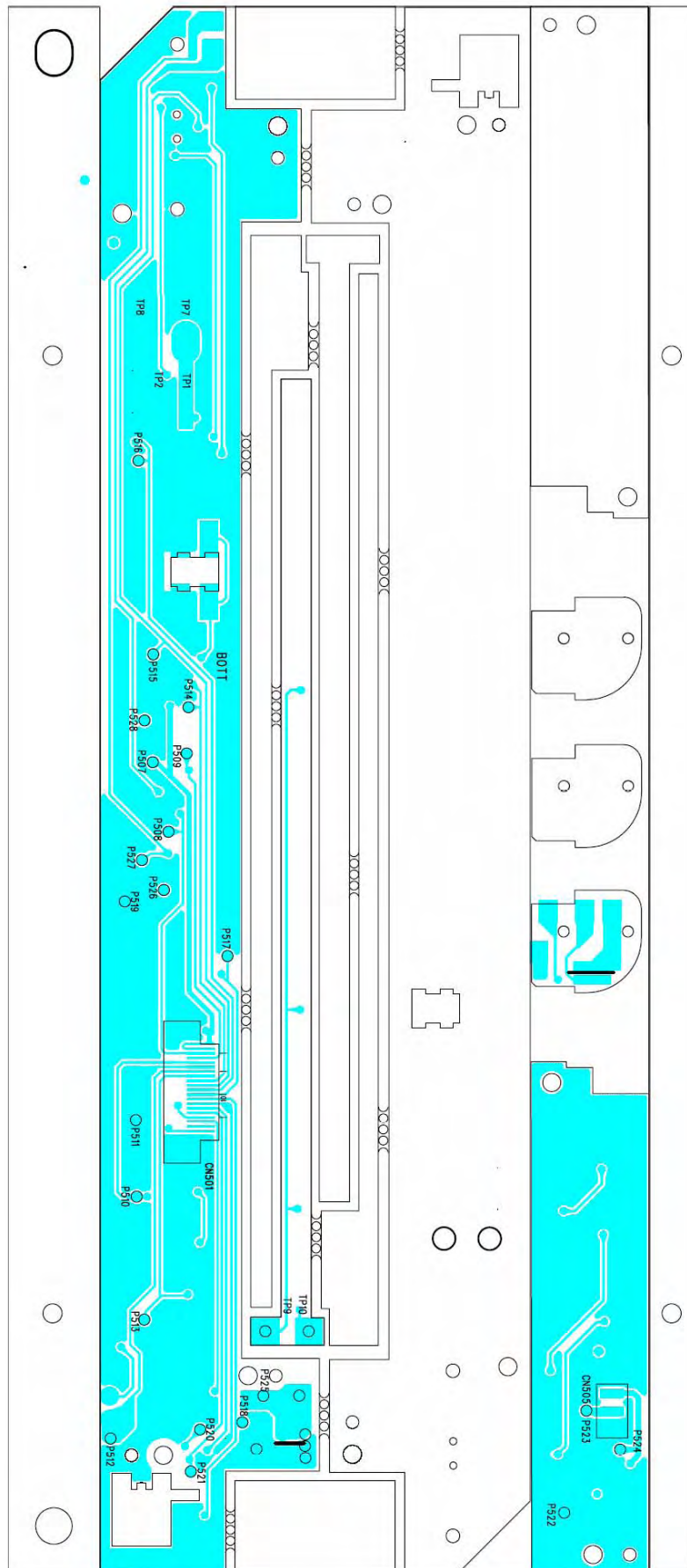
BOTTOM VIEW

KEY BOARD



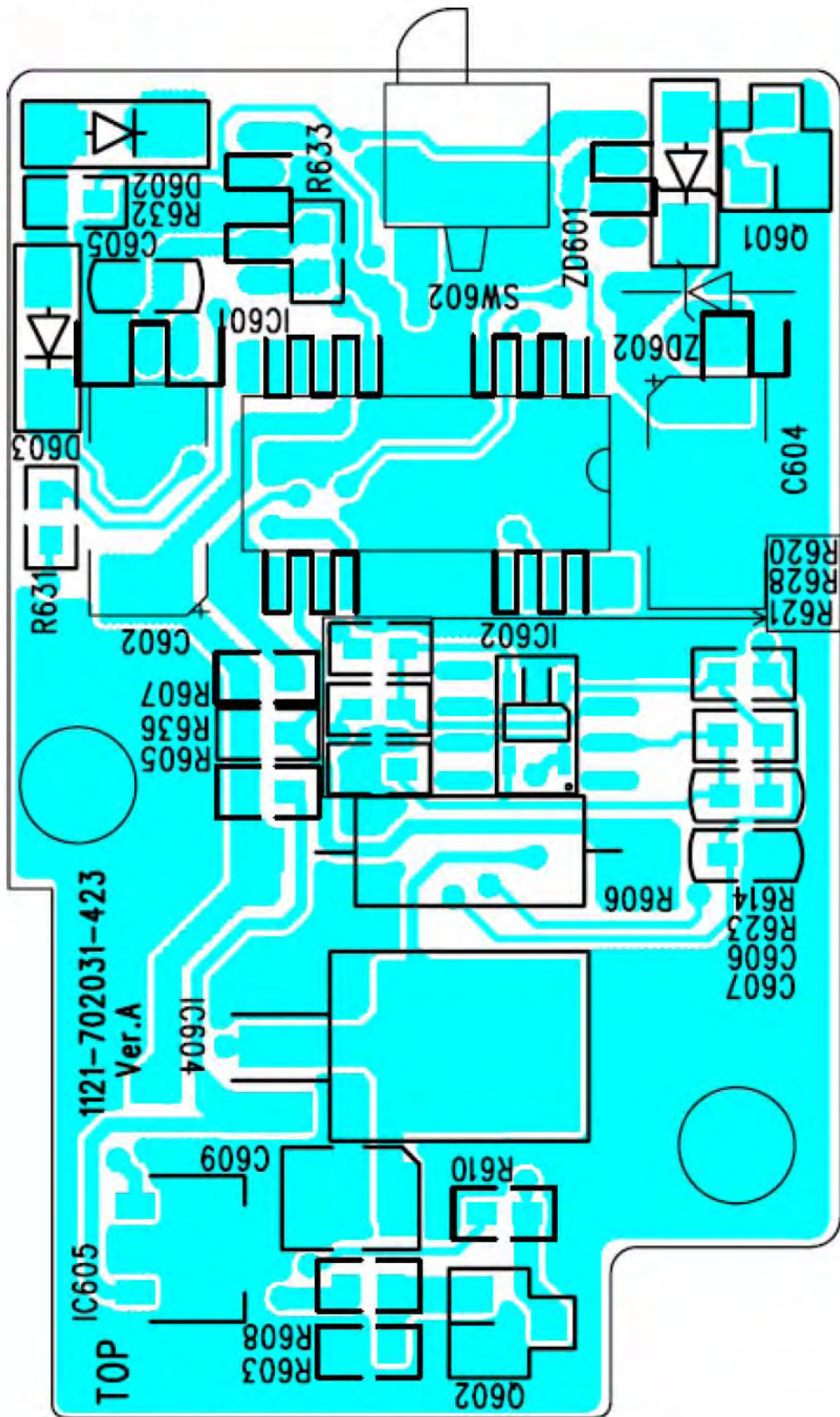
TOP VIEW

KEY BOARD



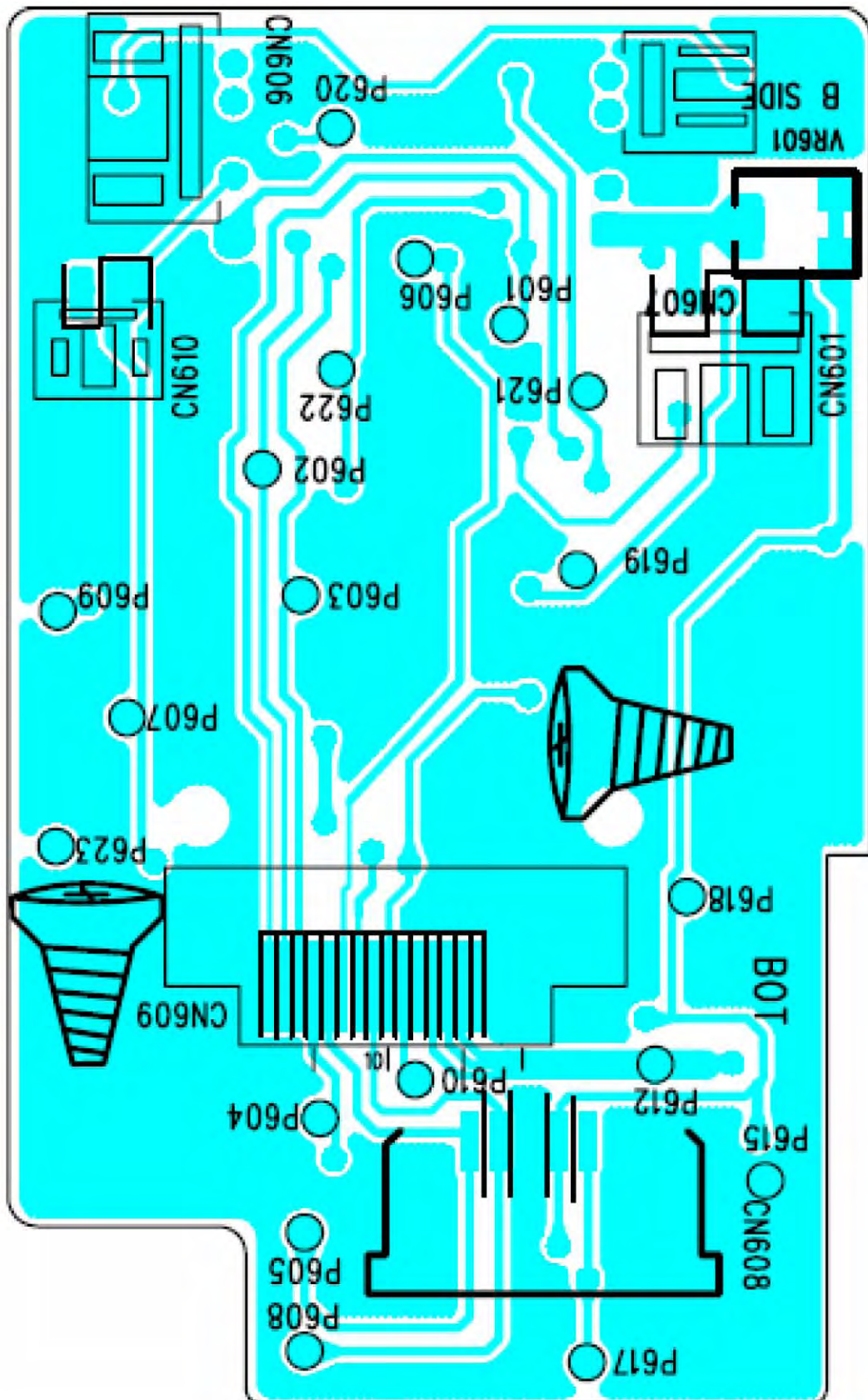
BOTTOM VIEW

MOTOR CONTROL BOARD



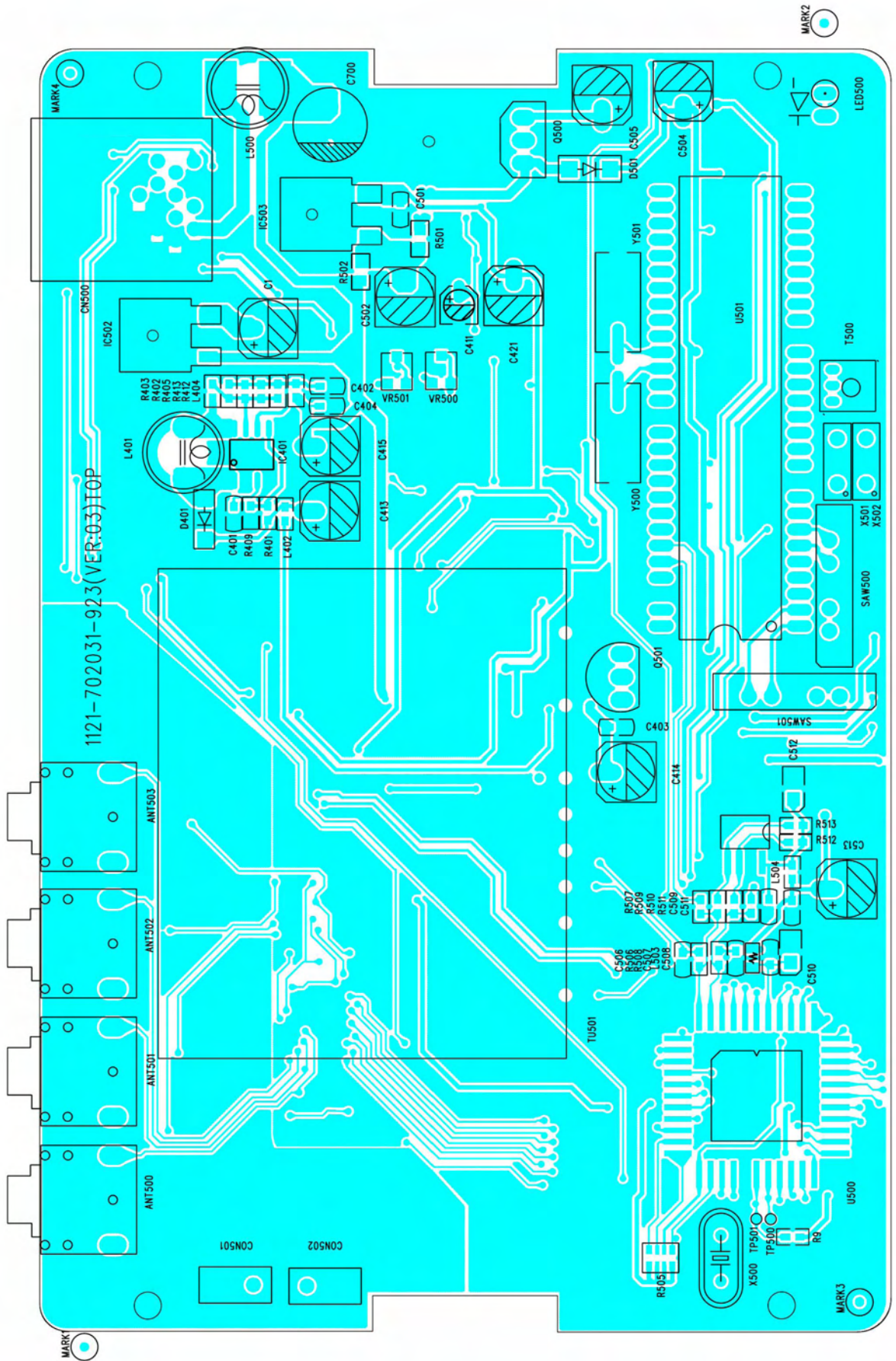
TOP VIEW

MOTOR CONTROL BOARD



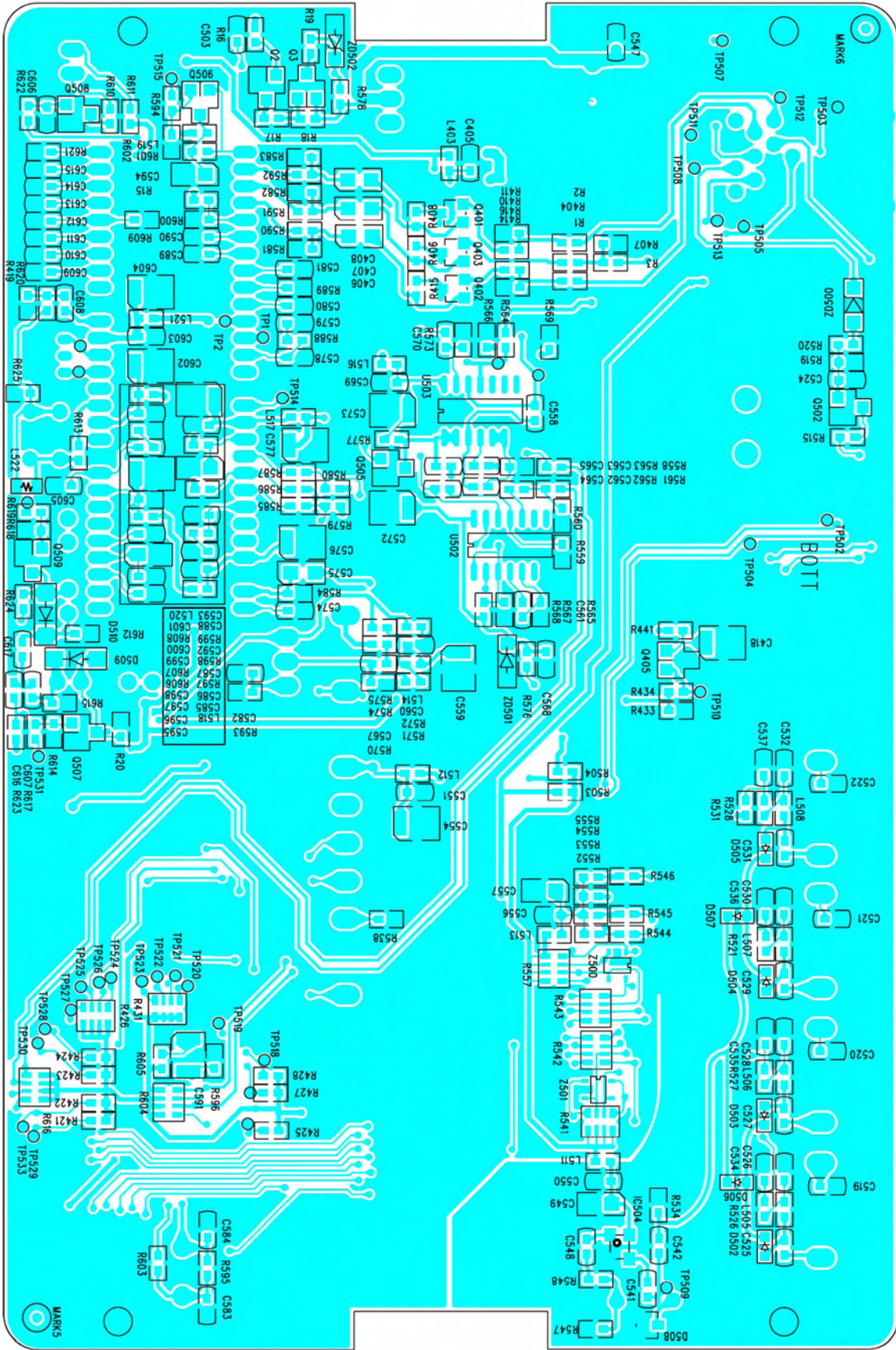
BOTTOM VIEW

TV BOARD



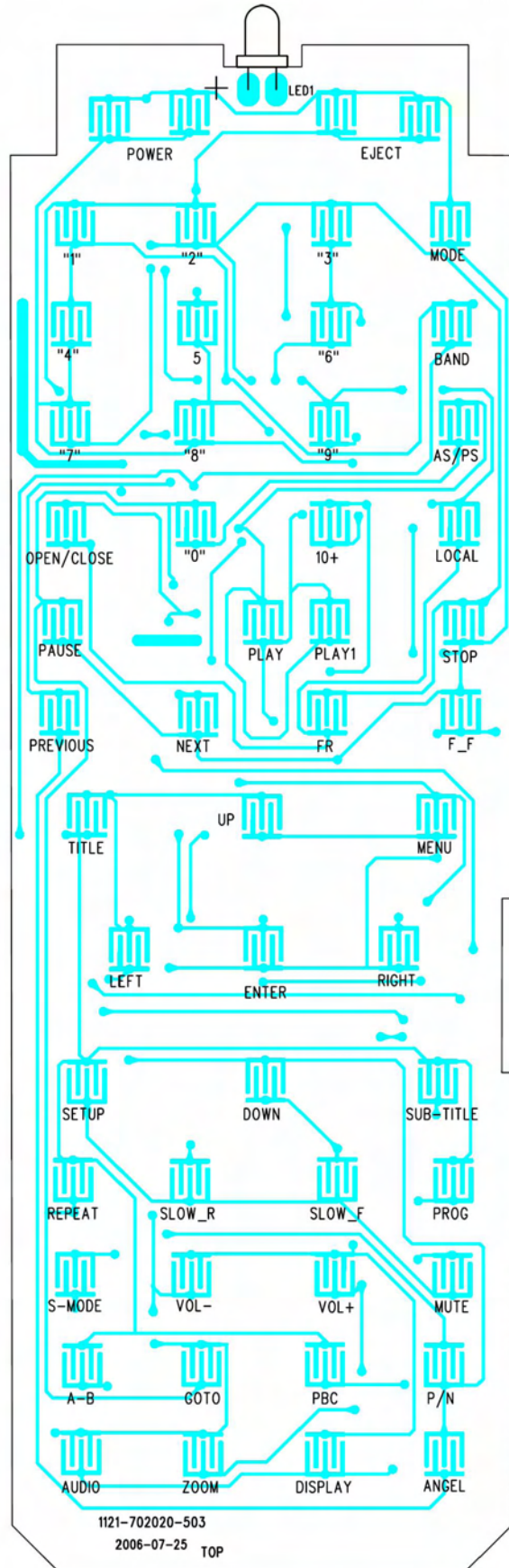
TOP VIEW

TV BOARD



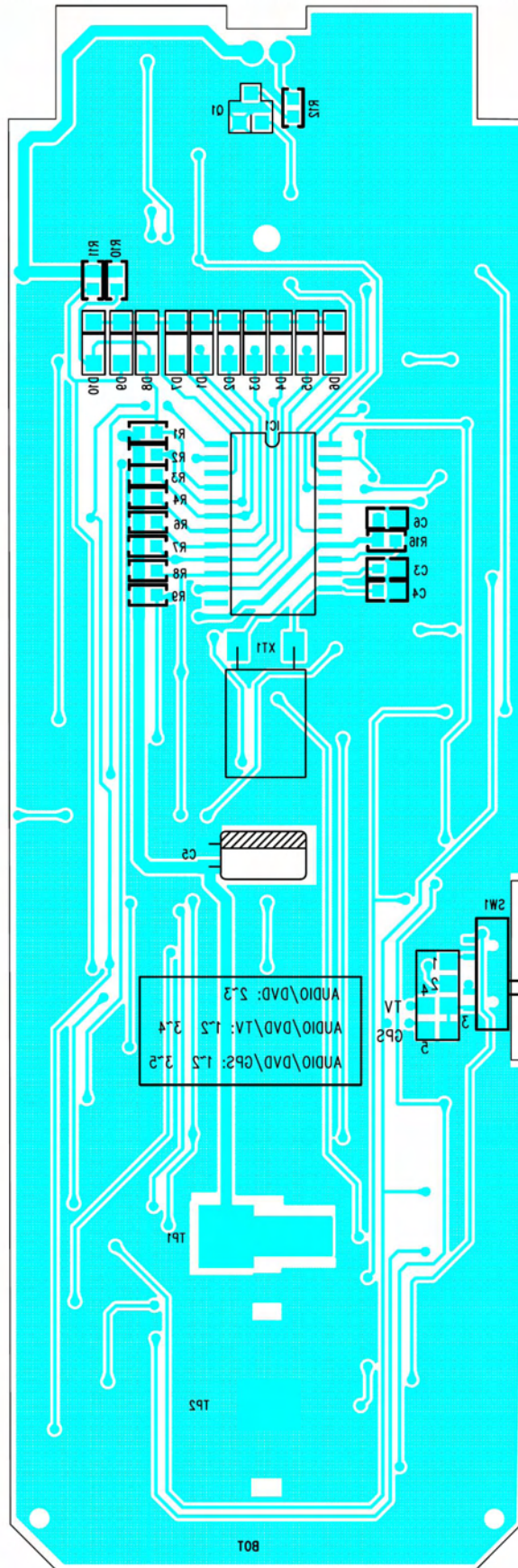
BOTTOM VIEW

REMOTE BOARD



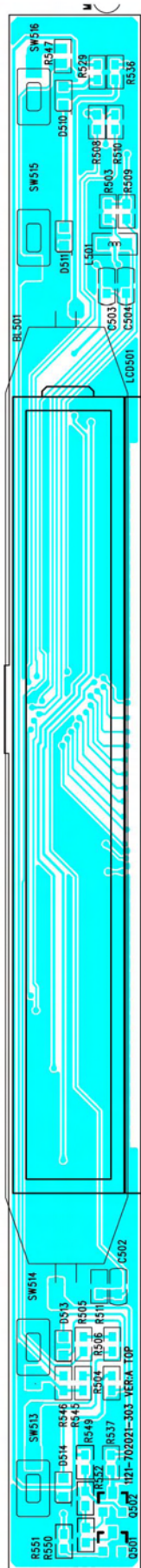
TOP VIEW

REMOTE BOARD



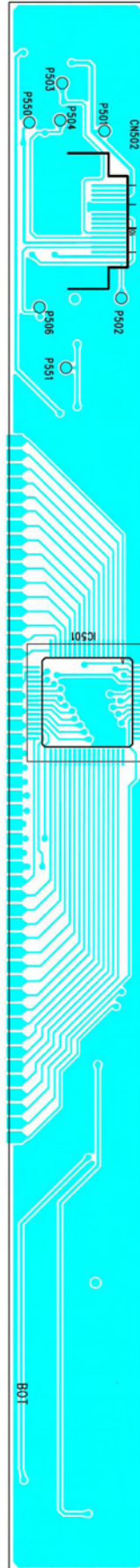
BOTTOM VIEW

LCD BOARD



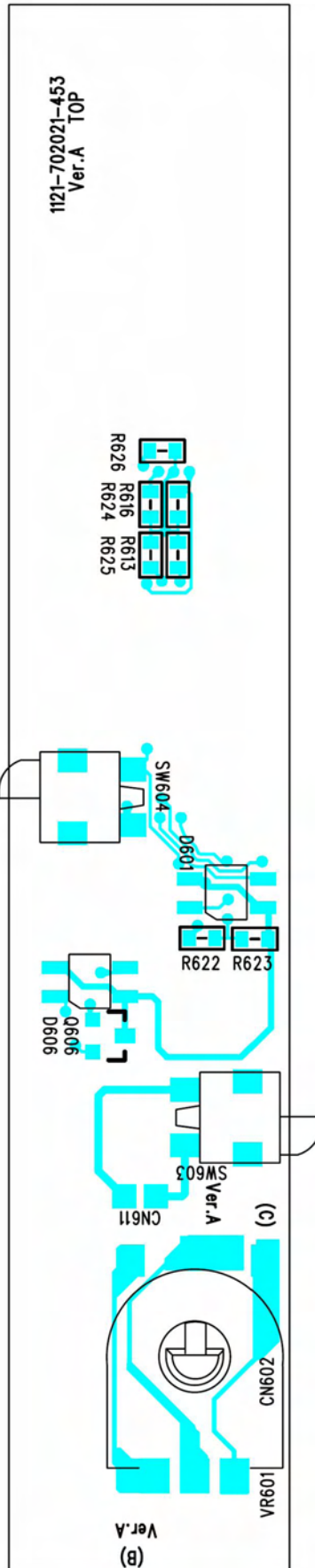
TOP VIEW

LCD BOARD



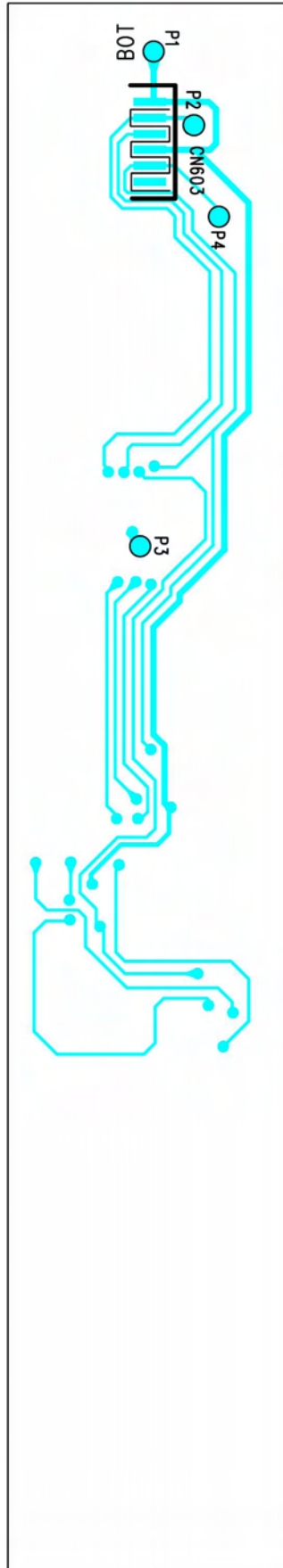
BOTTOM VIEW

SWITCH BOARD



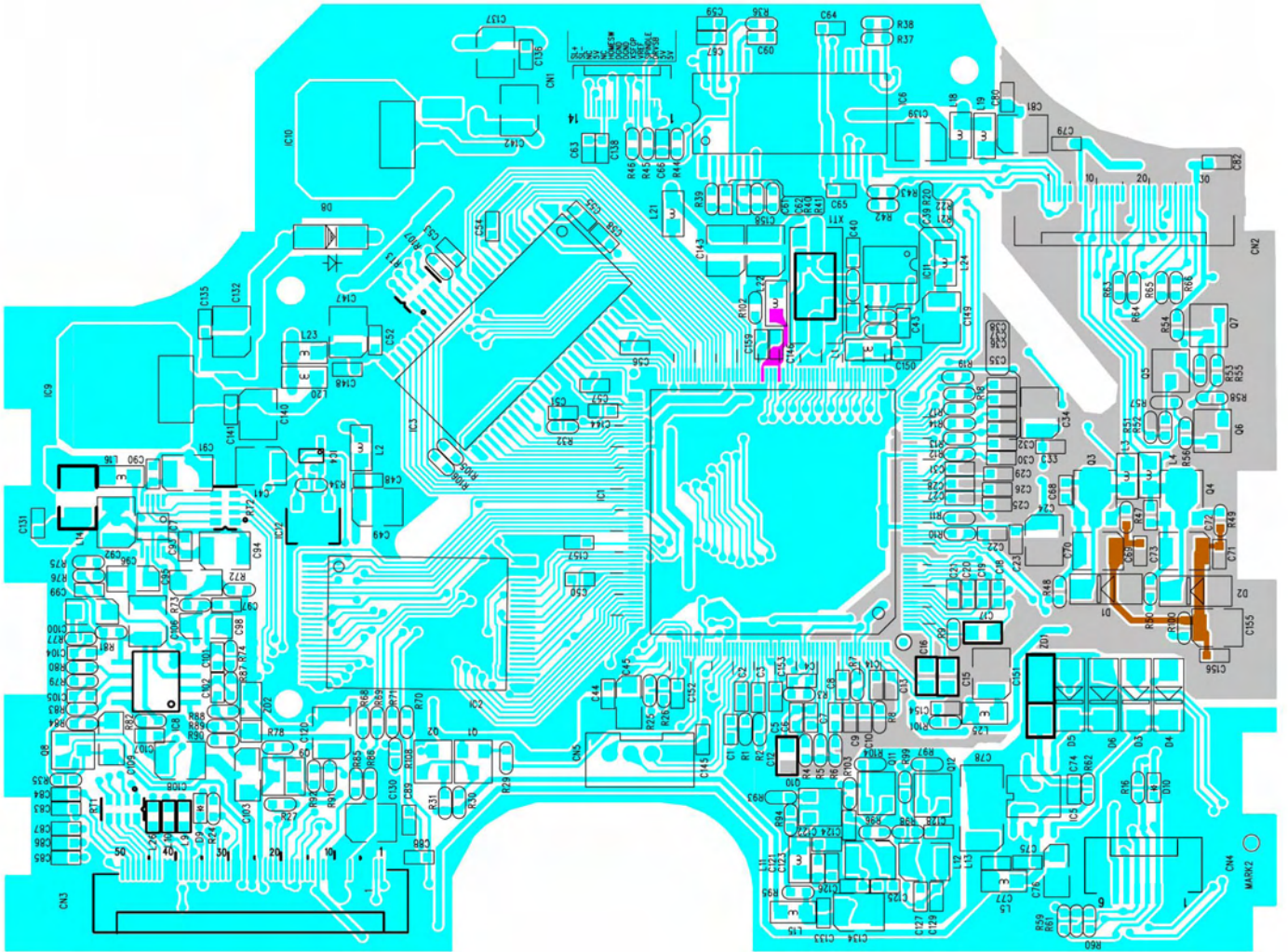
TOP VIEW

SWITCH BOARD



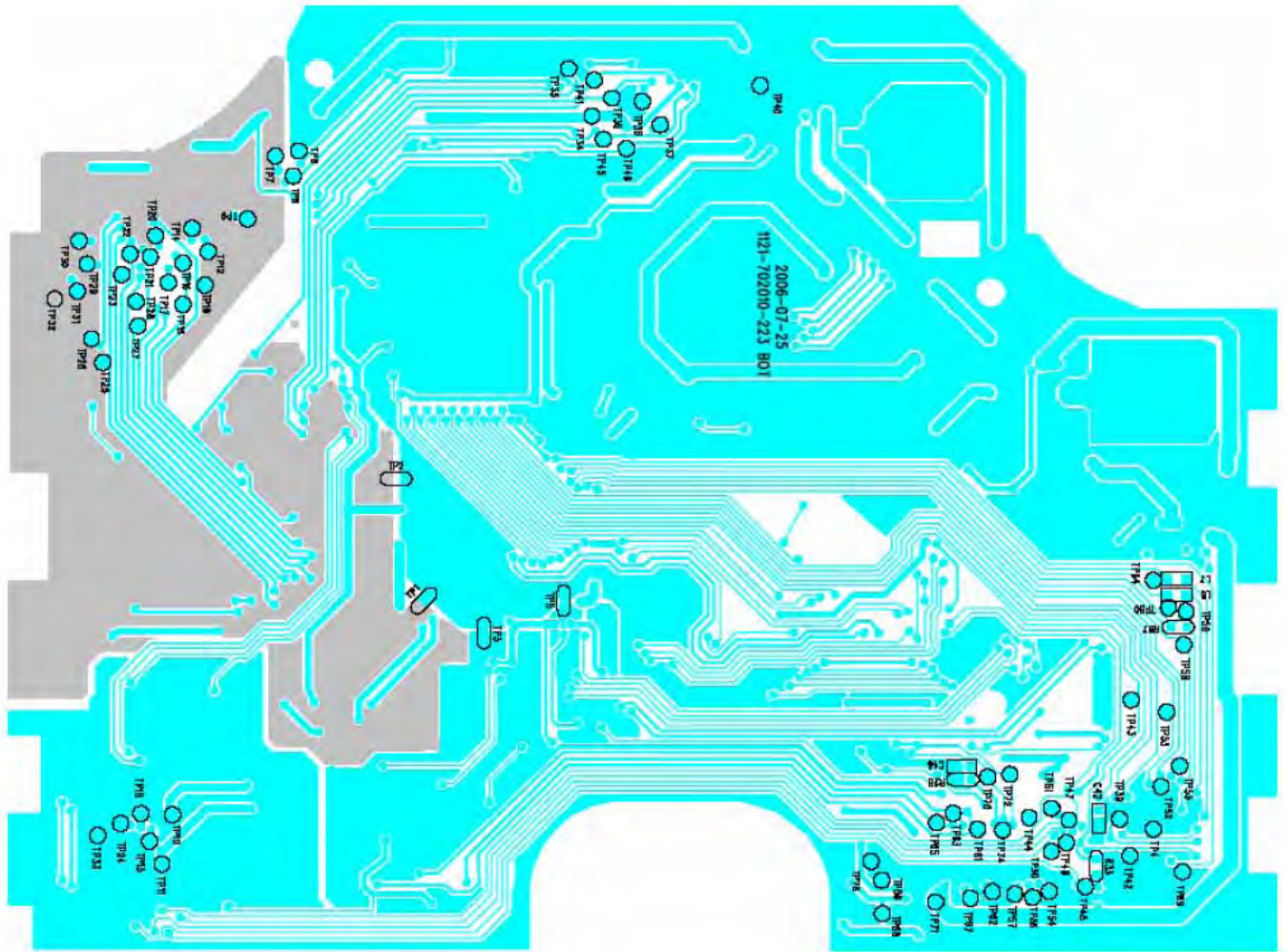
BOTTOM VIEW

SERVO BOARD



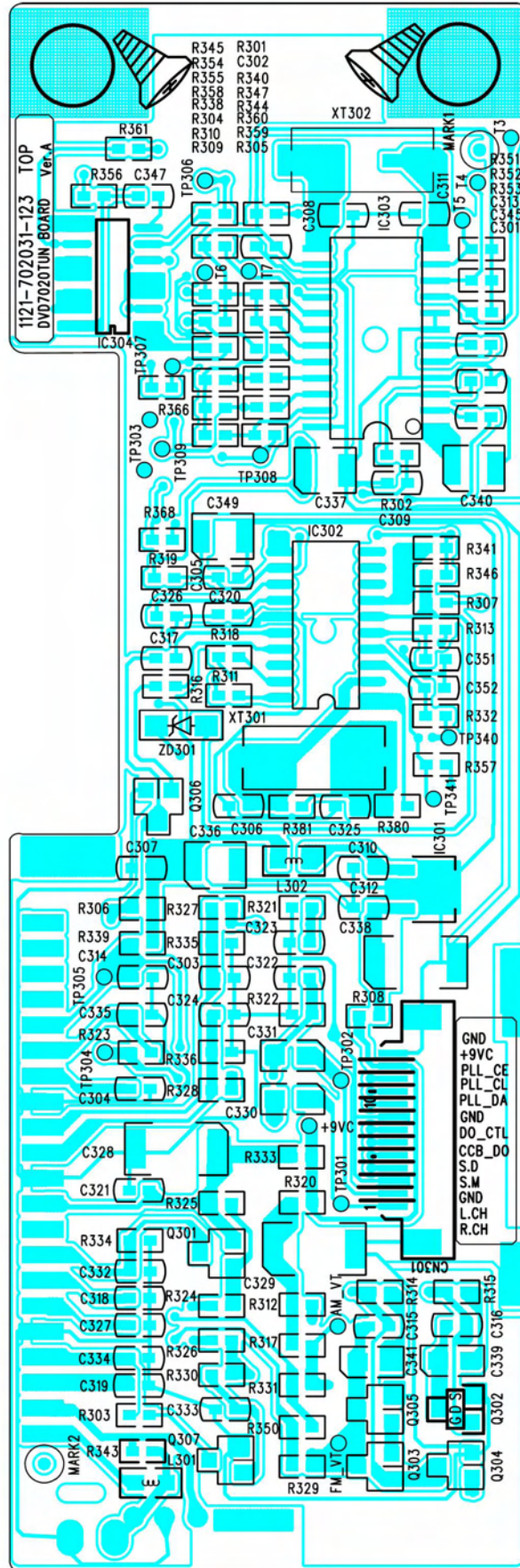
TOP VIEW

SERVO BOARD



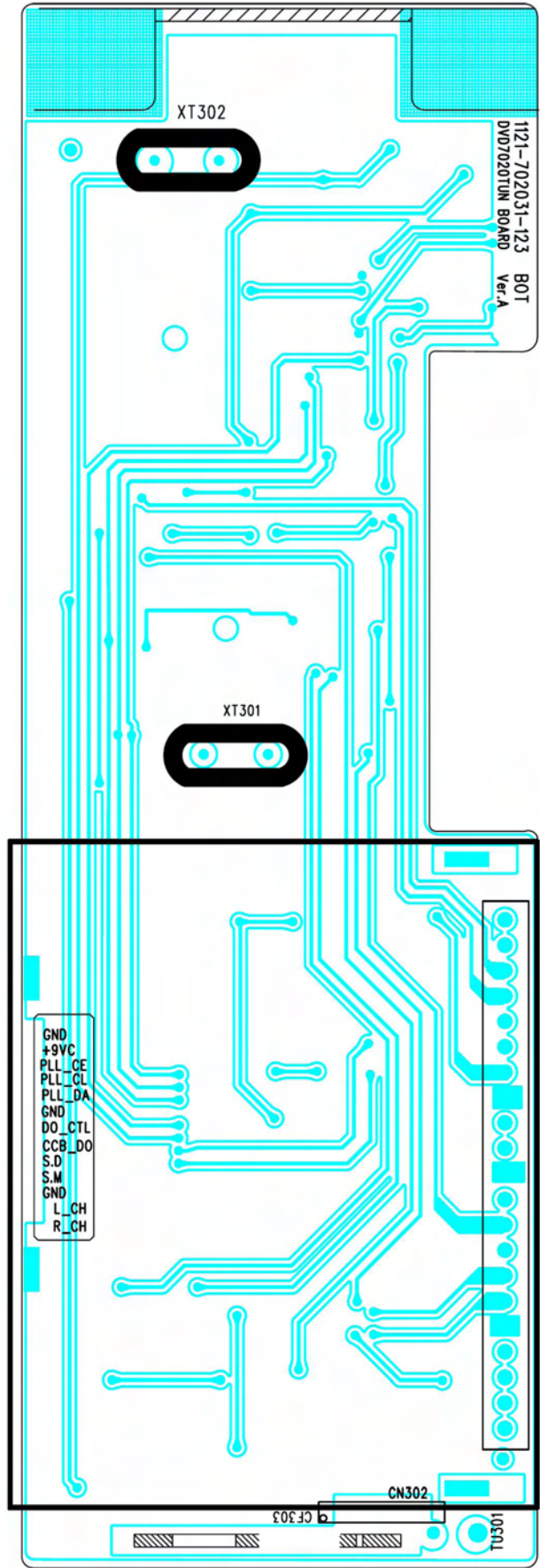
BOTTOM VIEW

RADIO BOARD



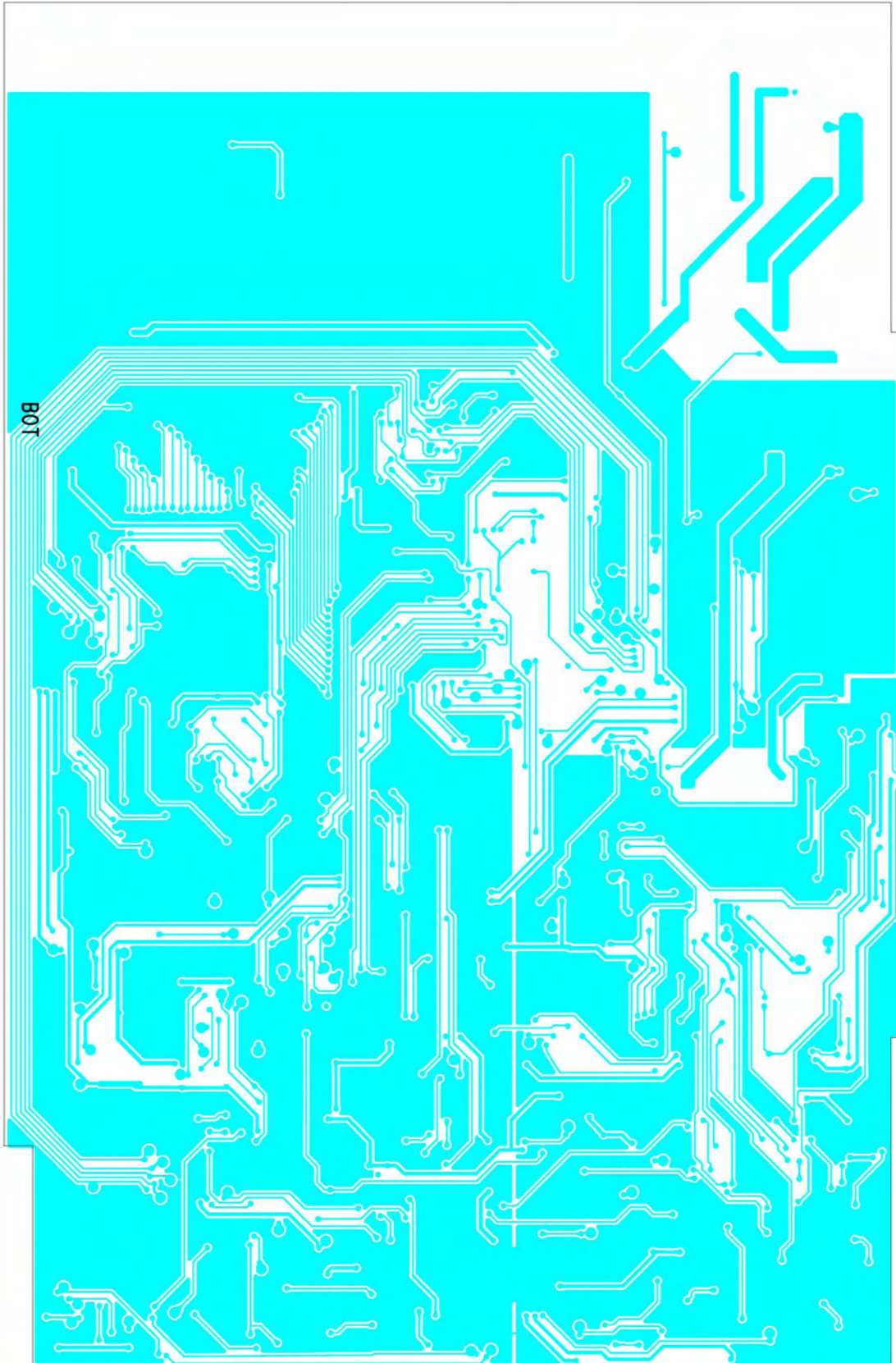
TOP VIEW

RADIO BOARD



BOTTOM VIEW

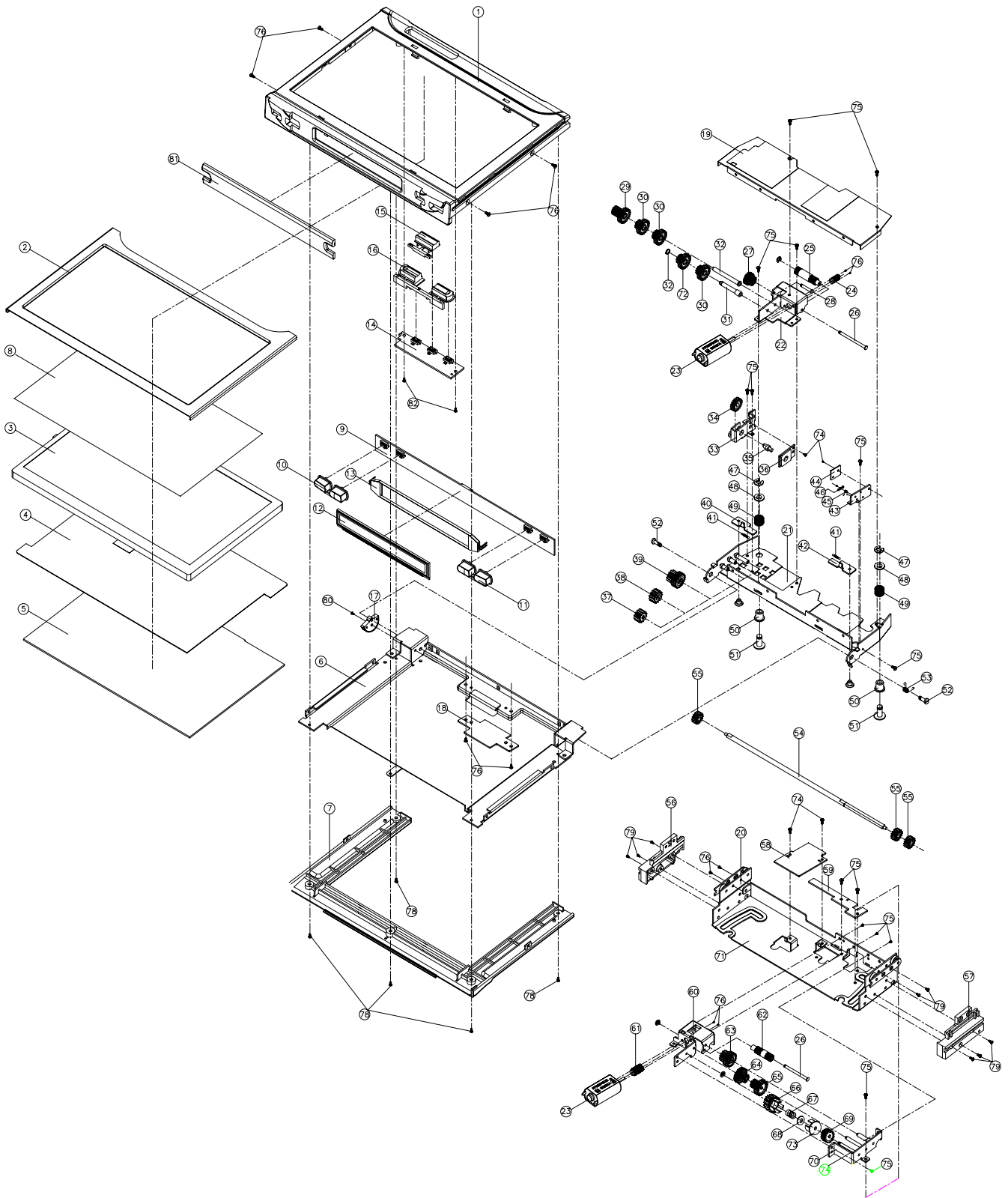
DISPLAY BOARD



BOTTOM VIEW

EXPLODED VIEW

DISPLAY



EXPLODED VIEW PARTS LIST

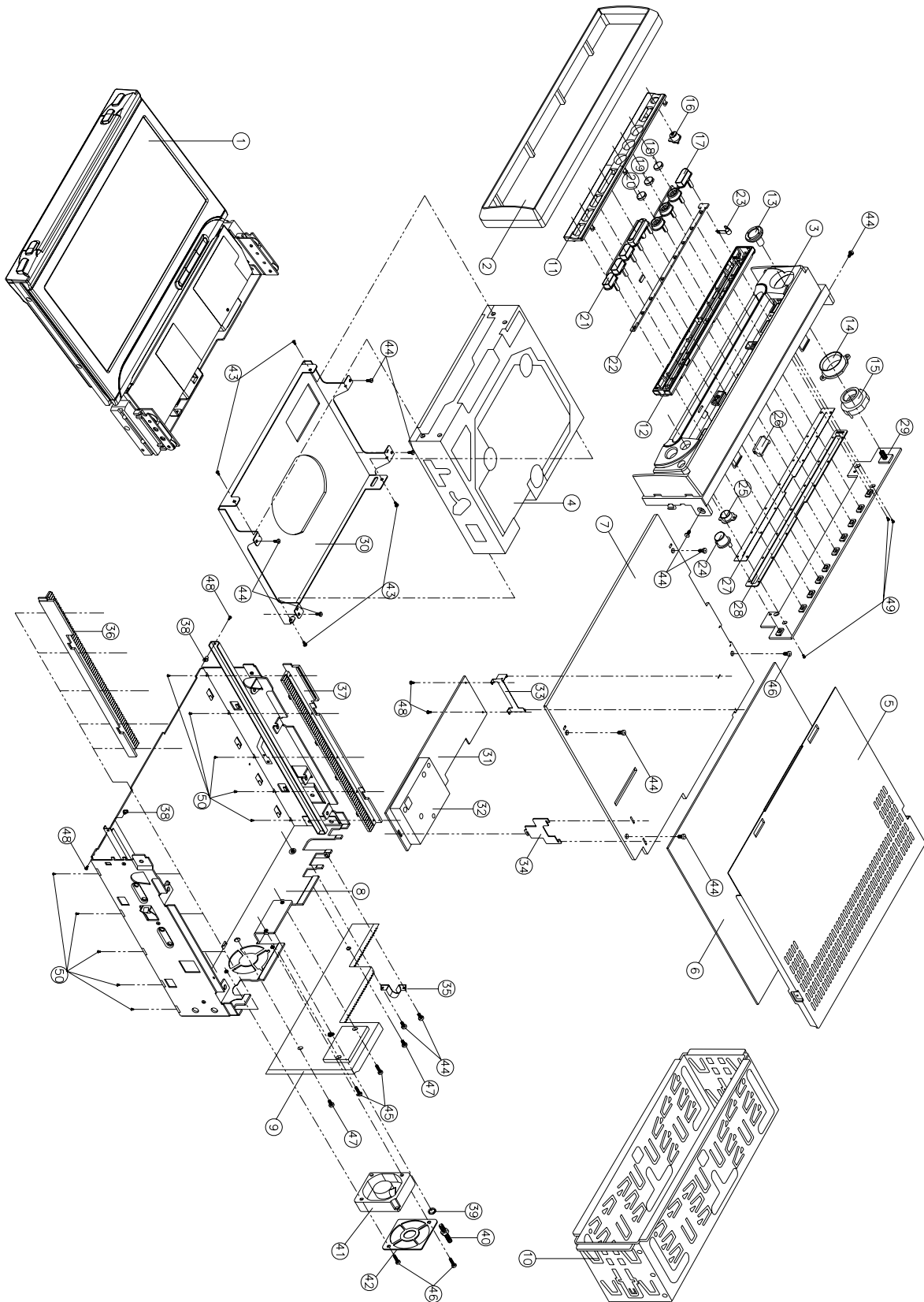
DISPLAY

Ref. No.	Description	RS Part No.	Mfr's Part No.
1	DVD TOP COVER (N0000/PMS422C) DVD NS/SD ROHS		5100-702020-31Y
2	PANEL (SILVERY) W/TOUCH SCREEN COVTRLO ROHS		3900-036920-08Y
3	TFT TOUCH SIMULATE TD-746A BEITAI ROHS		2710-702060-720B
4	DECK PET SHEET ROHS		4300-702002-000
5	DRIVER BOARD		1121-702022-543
6	MONITOR BOTTOM ROHS		6100-702003-000
7	MONITOR REAR COVER W/O SD (N0000) ROHS		5110-702023-300
8	INNO AT070TN07V.A 7 TFT LED BACKLIGHT ROHS		2700-003690-13
9	PCB LCD D/S		1121-702021-303
10	LOC-MO/ST KEY (N1202) ROHS		5200-702032-820
11	BAND KEY (N1202) ROHS		5200-702031-810
12	DVD7020 LCD FSTN POS PLK/WHT F80012TT-P ROHS		2710-702030-010Y
13	BLUE LED BKLGHY WHITE BODY		0200-036901-06
14	PCB KB		1121-702021-323
15	SET/SRC KNOB (N1202) ROHS		5200-702033-810
16	-/+ KNOB (N1202) ROHS		5200-702034-810
17	ROTATE GEAR 9(GR) ROHS		3400-036914-010
18	FLAT PIN PRESS ROHS		5200-036962-00
19	ROTATE SUPPORT COVER 0.5MM ROHS		3900-036903-000
20	GUIDE PRESS ROHS		3900-036912-002
21	ROTATE SUPPORT ROHS		3900-036902-004
22	MOVE MOTOR BKT ROHS		3900-036904-000
23	MOTOR FF-050SH-12150 ROHS		9700-012150-00
24	SIDE WORM ROHS		5200-036947-000
25	SLIDE WORM WHEEL/SLIDE GEAR 1 ROHS		5200-036948-000
26	ROTATE WORM SHAFT STAINLESS STEEL ROHS		3400-036904-01
27	ROTATE GEAR 2 ROHS		5200-036957-000
28	SLIDE WORM SHAFT STAINLESS STEEL ROHS		3400-036902-01
29	ROTATE GEAR 4 ROHS		3400-036918-00
30	ROTATE GEAR 3 ROHS		5200-036958-000
31	SLIDE GEAR SHAFT ROHS		3400-036903-01
32	(O) RING 2.6X4.6X0.4 ROHS		3500-036906-00
33	ROTATE GEAR BKT ROHS		3900-036907-000
34	ARITHMOMENTER GEAR ROHS		5200-036960-000
35	ARITHMOMETER SHAFT ROHS		3400-036915-00
36	PCB Board		1121-702021-453
37	ROTATE GEAR 8(GR) ROHS		3400-036913-00
38	ROTATE GEAR 7(GR) ROHS		3400-036912-00
39	ROTATE GEAR 6(GR) ROHS		3400-036911-00
40	LEFT SLIDE LOCK ROHS		3900-036908-002

Ref. No.	Description	RS Part No.	Mfr's Part No.
41	LOCK SPRING ROHS		3600-036907-01
42	RIGHT SLIDE LOCK ROHS		3900-036909-002
43	ROTATE SWITCH BKT ROHS		3900-036911-002
44	PCB Board		1121-702021-453
45	ROTATE SWITCH SPRING ROHS		3600-036905-00
46	ROTATE LEVER ROHS		5200-036943-00
47	E- RING ROHS		3500-0A1520-00
48	WASHER ROHS		3500-036904-00
49	LEFT/RIGHT ROTATE SPRING ROHS		3600-036901-00
50	BASH ROHS		3400-036908-00
51	ROTATE(L/R) SHAFT ROHS		3400-036907-00
52	ROTATE SCREW ROHS		4000-018701-00
53	MONITOR SPRING ROHS		3610-036906-000
54	SYNCHRON SHAFT ROHS		3400-036901-01
55	SLIDE GEAR 7 ROHS		3400-036917-000
56	LEFT SUPPORT ROHS		5200-036941-00
57	RIGHT SUPPORT ROHS		5200-036940-00
58	Motor PCB Board		1121-702031-423
59	PCB Board		1121-702021-453
60	ROTATE MOTOR BKT ROHS		3900-036906-003
61	ROTATE WORM ROHS		5200-036955-000
62	ROTATE WORM WHEEL/ROTATE GEAR 1 ROHS		5200-036956-000
63	SLIDE GEAR 6 ROHS		5200-036953-000
64	SLIDE GEAR 2 ROHS		5200-036949-000
65	SLIDE GEAR 5 ROHS		5200-036952-000
66	SLIDE GEAR 3 ROHS		5200-036950-000
67	SPRING ROHS		3600-018701-00
68	WASHER 2.1X8.9X0.4 ROHS		3500-036907-00
69	SLIDE GEAR 4 ROHS		5200-036951-000
70	MOVE GEAR BKT ROHS		3900-036905-003
71	MOVE SUPPORT ROHS		3900-036901-000
72	ROTATE GEAR 3 ROHS		3400-036919-00
73	DAMP WHEEL ROHS		5200-036944-000
74	ROTATE GEAR SHAFT ROHS		3400-036905-00
75	SCREW ϕ 2.0X2.0 BH/MS ROHS		4000-062002-01
76	SCREW ϕ 2X3 CH/MS BLACK ROHS		4000-012003-09H
77	SCREW PH/MS ROHS		4000-002003-00
78	SCREW ϕ 2.6X4 BH/MS ROHS		4000-002604-01
79	SCREW M2.0X5.0 BH/MS ROHS		4000-062005-01
80	SCREW ϕ 2X6 BH/MS ROHS		4000-002006-01
81	LENS (S.N1202) ROHS		5300-702035-800
82	SCREW ϕ 2X6 PA/ST (BLACK) ROHS		4000-012006-20

EXPLODED VIEW

UNIT



EXPLODED VIEW PARTS LIST

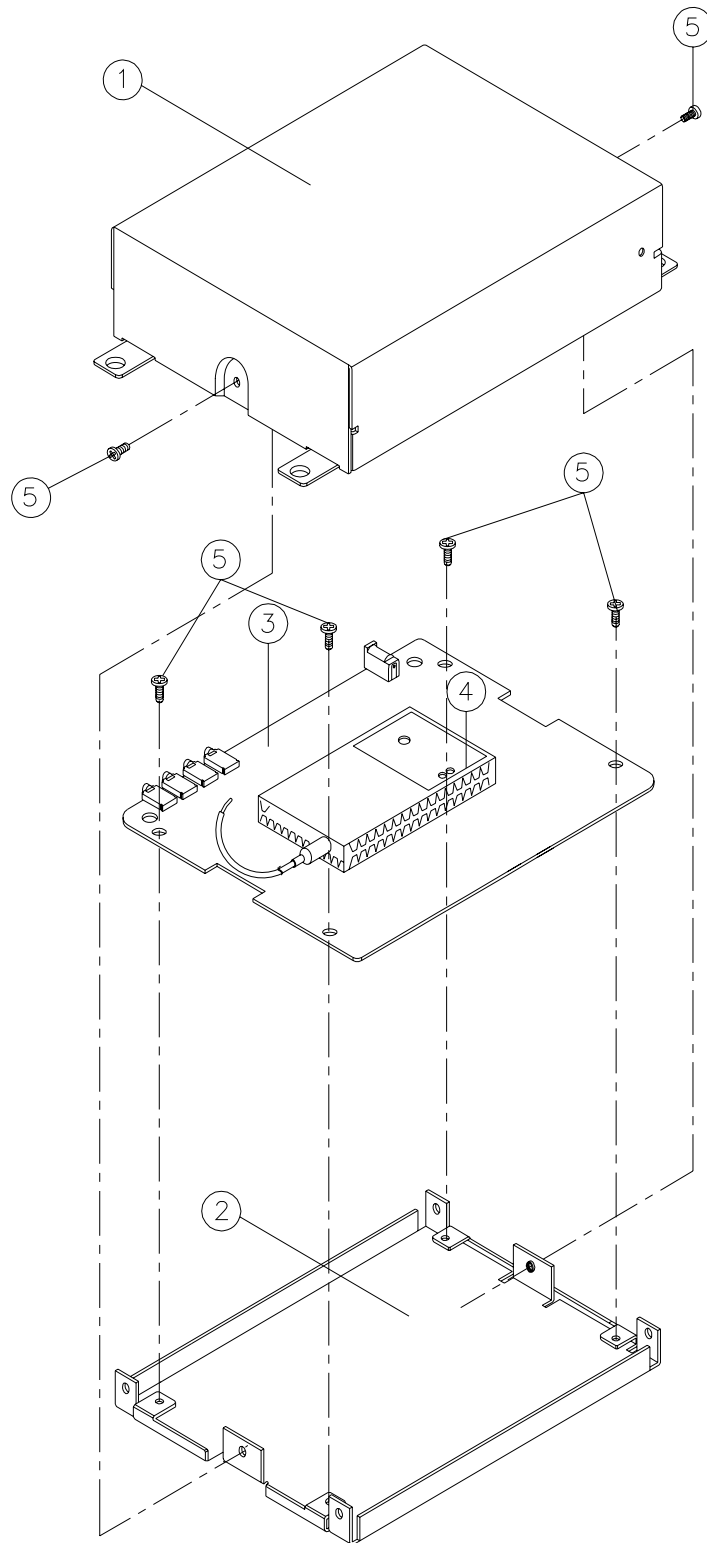
UNIT

Ref. No.	Description	RS Part No.	Mfr's Part No.
1	Display		
2	RING (N0000) ROHS		5100-702022-300
3	BASE (N1202/N0000) ROHS		5100-702021-82Y
4	DVD MECH THIN SLOT TYPE (HPD-60) ROHS		9400-021782-00
5	TOP CABINET W/SPRING, WAY FOR TV/GPS 1.0MM ROHS		6110-702001-005
6	MAIN PCB PET SHEET ROHS		4300-702001-000
7	MAIN BOARD		1121-702035-023
8	CABINET BOTTOM ASS ROHS		6100-702002-000
9	HEAT SINK FOR TV/GPS ROHS		6110-702005-000
10	MOUN TING BOX ROHS		6100-300005-000
11	SMALL PANEL TOP COVER (N1202) ROHS		5200-702020-82Y
12	SMALL PANEL BASE COVER (N1202) ROHS		5200-702021-800
13	JOG STICK KNOB E.SILVER ROHS		5200-702022-90E
14	DECORATION RING E.SILVER ROHS		5200-702023-90E
15	DECORATION RING BL ROHS		5200-702026-000
16	RELESE KNOB ROHS		5200-702024-000
17	EJECT KEY (N1202) ROHS		5200-702029-810
18	MUT KNOB (N1202) ROHS		5200-702025-810
19	S KEY (N1202) ROHS		5200-702025-820
20	MENU KEY (N1202) ROHS		5200-702025-830
21	OPEN/CLOSE KEY (N1202) ROHS		5200-702028-810
22	PCB KB D/S THK=1.0X30X171MM (FR-4)		1121-702010-223
23	SPRING SHEET 0.15MM ROHS		3900-036921-000
24	POWER KEY (N1202) ROHS		5200-702030-810
25	REMOTE LENS (RED) ROHS		5300-702036-50R
26	LAMP BL ROHS		5200-702027-000
27	SHADE (BLACK) ROHS		8100-036901-000
28	CD WINDOOW SHADE (CLEAR THK0.5MM) ROHS		4300-036901-000
29	KEY PCB Board		1121-702021-323
30	DECK BKT 0.8MM ROHS		6100-702004-000
31	AM BOARD		1121-702031-123
32	MITSUMI TUNER FAE376 ORIT 65~108MH (H-TYPE) ROHS		2900-000376-04
33	TUNE-PCB BKT1 ROHS		3900-036913-000
34	TUNE-PCB BKT2 ROHS		3900-036914-000
35	POWER WIRE CLIP ROHS		3900-702001-000
36	RIGHT RACK ROHS		5200-036945-000
37	LEFT RACK ROHS		5200-036946-000
38	STOP SLEEVE ROHS		3900-036931-000
39	SPRING WASHER M5 ROHS		3500-050001-00

Ref. No.	Description	RS Part No.	Mfr's Part No.
40	M5 BACK MOUNTING SCREW L=12MM ROHS		3400-014461-001
41	DC FAN DCV 12V SIZE=40X40X10MM WIRE 65MM ROHS		4900-004010-50
42	FAN COVER ROHS		3900-0D2109-000
43	SCREW ϕ 2.6X4 KH/MS ROHS		4000-002604-02
44	SCREW ϕ 2.6X4 BH/MS ROHS		4000-002604-01
45	SCREW ϕ 2.6X14 BH/MS ROHS		4000-002614-01
46	SCREW ϕ 2X14 BH/MS ROHS		4000-002014-01
47	SCREW ϕ 2.6X6 BH/MS ROHS		4000-002606-01
48	SCREW ϕ 2X3 CH/MS BLACK ROHS		4000-012003-09H
49	SCREW X6.0 CA/ST ROHS		4000-001706-10
50	SCREW M1.7X4 KH/ST ROHS		4000-001704-21

EXPLODED VIEW

TV7020

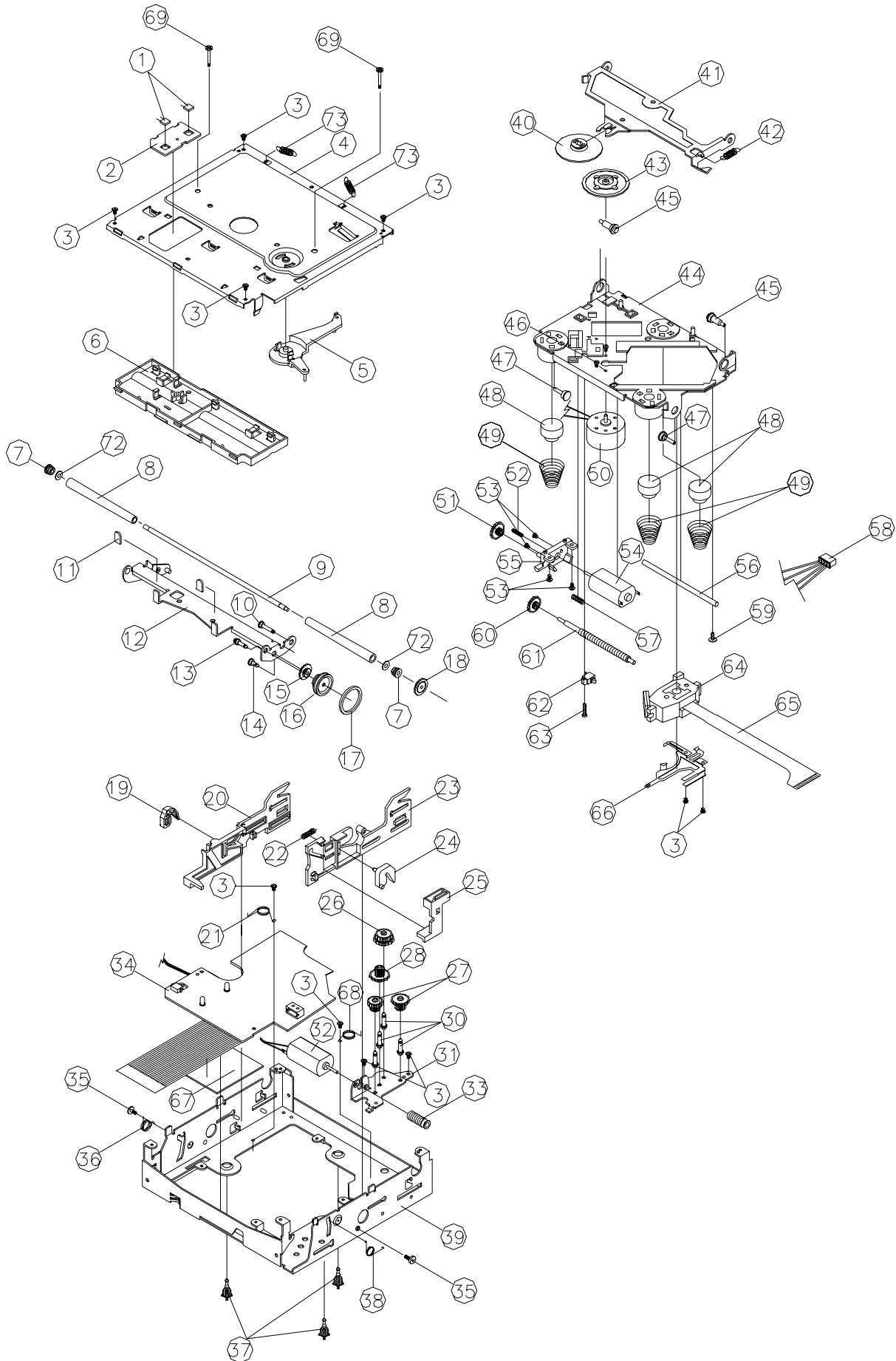


EXPLODED VIEW PARTS LIST

TV7020

Ref. No.	Description	RS Part No.	Mfr's Part No.
1	TOP COVER A005 FOR DVD7020 (S.BLACK/WHITE) ROHS		3910-A00402-31W
2	BOTTOM COVER (S.BLACK) ROHS		3900-A00401-300
3	PCB D/S TV1872 SECAM BOX MB 142x94x1.2MM		1121-702031-923
4	TV TUNER TPQ-3EV8 BG/7 1/F/708 XINFA ROHS		2900-007020-381X
5	SCREW ϕ 2.6X4 PH/MS BLACK ROHS		4000-002604-20

EXPLODED VIEW (DECK)



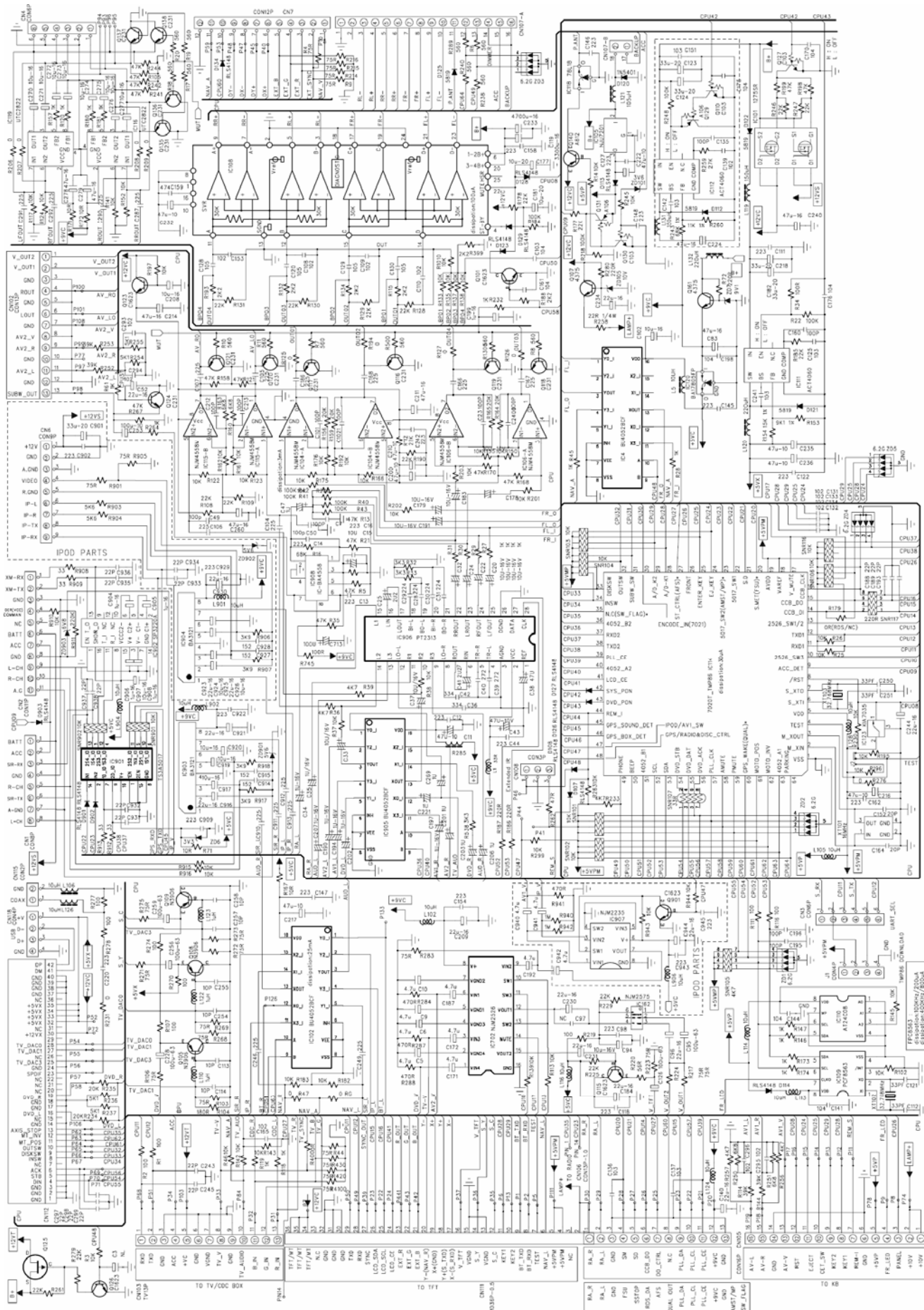
EXPLODED VIEW PARTS LIST (DECK)

Ref. No.	Description	Parts No.	Q'ty
1	SENSOR	ST-23G	2
2	SENSOR PCB	FR	1
3	SCREW	CA/H 0" TT 2*3	12
4	COVER-UPPER	SECC T1.0	1
5	LEVER DISC	POM (F20-03)	1
6	GUIDE UP	POM (F20-03)	1
7	BUSHING ROLLER	POM (F20-03)	2
8	ROLLER DISC	SLICON	2
9	SHAFT ROLLER	SUS 303	1
10	PIN ROLLER	SUM24L-NI (PLATE)	1
11	PVC CAP	PVC	2
12	B/K ROLLER	SECC T1.0	1
13	PIN PULLEY	SUM24L-NI (PLATE)	1
14	PIN IDLE	SUM24L-NI (PLATE)	1
15	GEAR IDLE	POM (F20-03)	1
16	GEAR PULLEY	POM (F20-03)	1
17	BELT PULLEY	CR-WRT	1
18	GEAR ROLLEY	POM (F20-03)	1
19	LOCKER (L)	POM (F20-03)	1
20	CAM (L)	POM (F20-03)	1
21	S/P CAM (L)	SUS304WPB	1
22	S/P RACK	SUS304WPB	1
23	CAM (R)	POM (F20-03)	1
24	LOCKER ®	POM (F20-03)	1
25	GEAR RACK	POM (F20-03)	1
26	GEAR LOAD ©	POM (F20-03)	1
27	GEAR LOAD (D)	POM (F20-03)	1
28	GEAR LOAD (B)	POM (F20-03)	1
29	GEAR LOAD (A)	POM (F20-03)	1
30	PIN LOAD	SUM24L-NI (PLATE)	4
31	B/K GEAR	SECC T1.0	1
32	MOTOR	FF-N30VA-09210	1
33	GEAR WORM	POM (F20-03)	1
34	SERVO PCB ASSY	GLASS EPOXY 1.2T	1
35	SPECIAL SCREW	P/H TTS 2*2	4
36	S/P RO (L)	SUS304WPB	1
37	SUPPORT DAMPER	POM (F20-03)	3
38	S/P RO ®	SUS304WPB	1
39	CHASSIS MAIN	SEEC T1.0	1

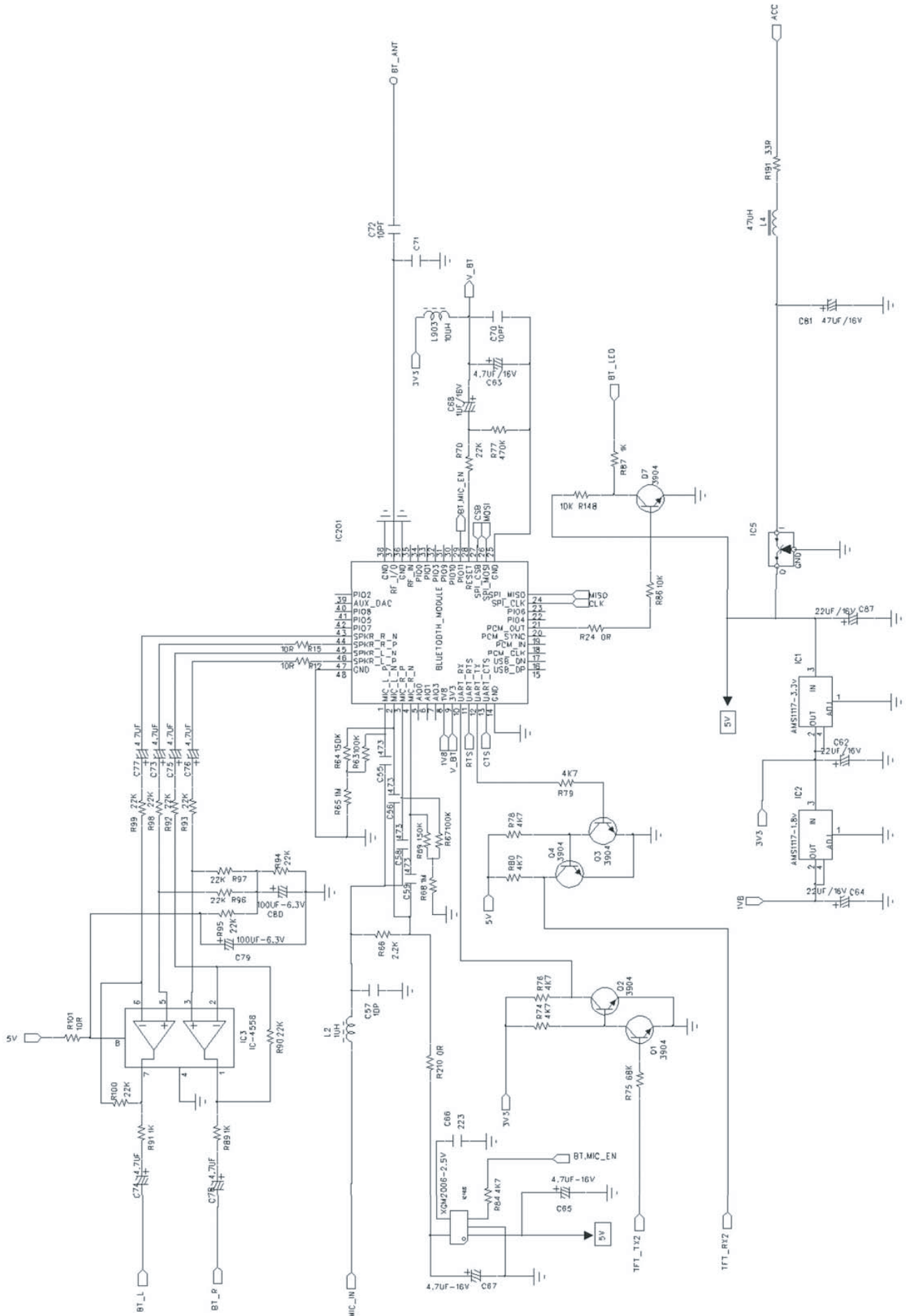
EXPLODED VIEW PARTS LIST - CONTINUED (DECK)

Ref. No.	Description	Parts No.	Q'ty
40	CLAMP DISC	POM (F20-03)	1
41	HOLD CLAMPER	SECC T1.0	1
42	S/P CLAMPER	SUS304WPB	1
43	TURN TABLE	FAE376 P01	1
44	BASE PU	POM (F20-03)	1
45	PIN SIDE (A)	SUM24L-NI (PLATE)	2
46	SCREW	CA/H 0" M/S 1.7*2.5	2
47	PIN SIDE (B)	SUM24L-NI (PLATE)	2
48	DAMPER	BUTHYL	1
49	S/P BASE	SUS304WPB	2
50	MOTOR	FF-K20WD-08127	1
51	GEAR PU (B)	HYTRELL 5526	1
52	GEAR PU (A)	POM (F20-03)	1
53	SCREW	CA/H 0" M/S 2*2	6
54	MOTOR	FF-050SH-12150	1
55	HOUSING GEAR	POM (F20-03)	1
56	SHAFT PU	KNN11 (PCD18)	1
57	SCREW	R/H (W/W) TTB2*5	1
58	4P CONT WIRE	1007 #28	1
59	SPRING TENSION	SUS304WPB	1
60	GEAR PU ©	POM (F20-03)	1
61	LEAD SCREW	BSBM	1
62	SWITCH	SW-110	1
63	SCREW	B/H TTB1.7*8	1
64	PICK UP	HD65	1
65	FPC WIRE	POLY AMIDE	1
66	SPRING PU	SUS T0.2	1
67	FIBER PAPER		1
68	S/P CAM ®	0.55	1
69	TRANSIT SCREW	4.5*18	2
70	INSULATOR COVER	PE	1
71	SWITCH	SW-111	1
72	WASHER PE	PE	2
73	S/P BASE ®	SUS304WPB	2

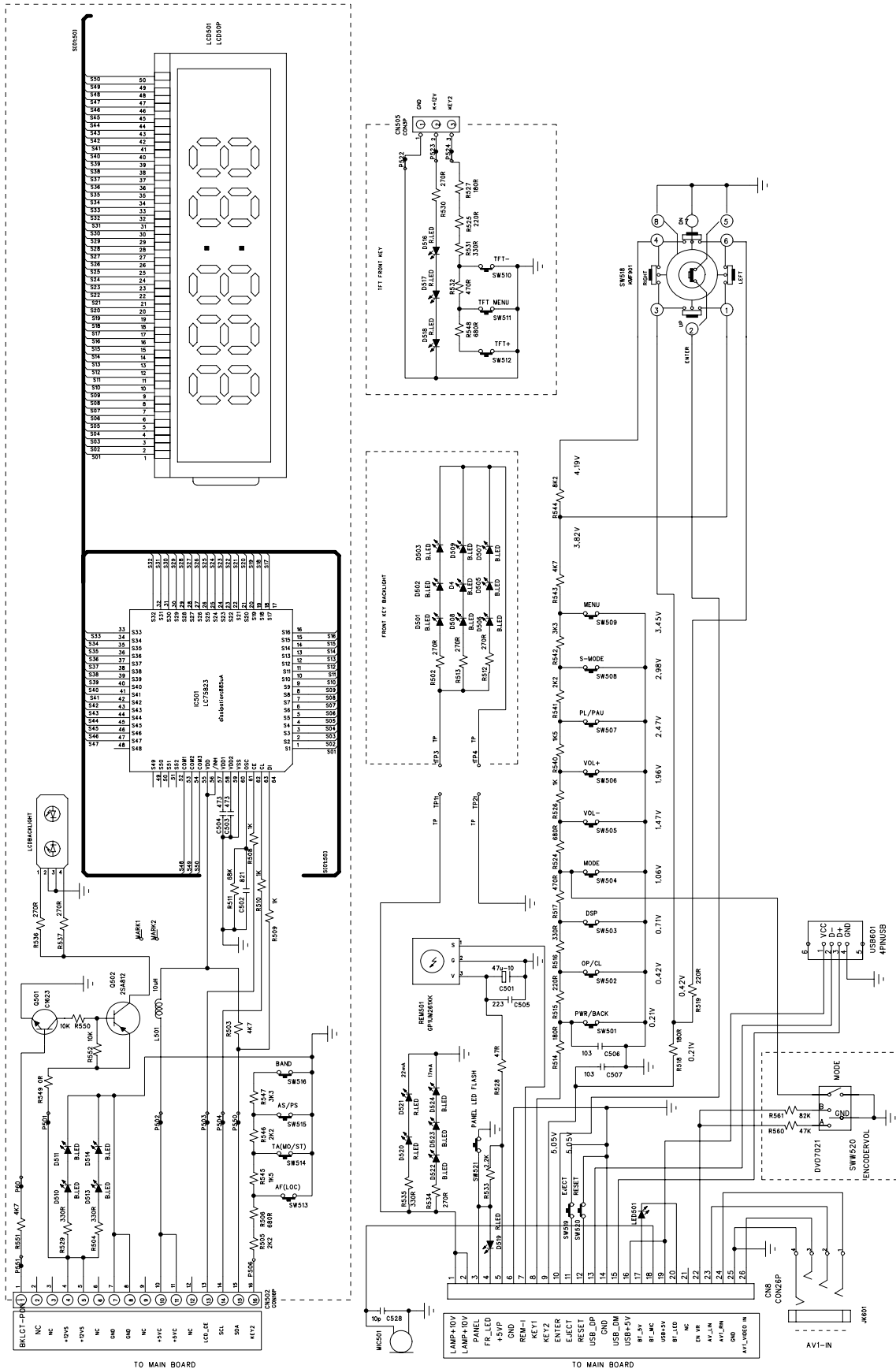
SCHEMATIC DIAGRAM (MAIN BOARD)



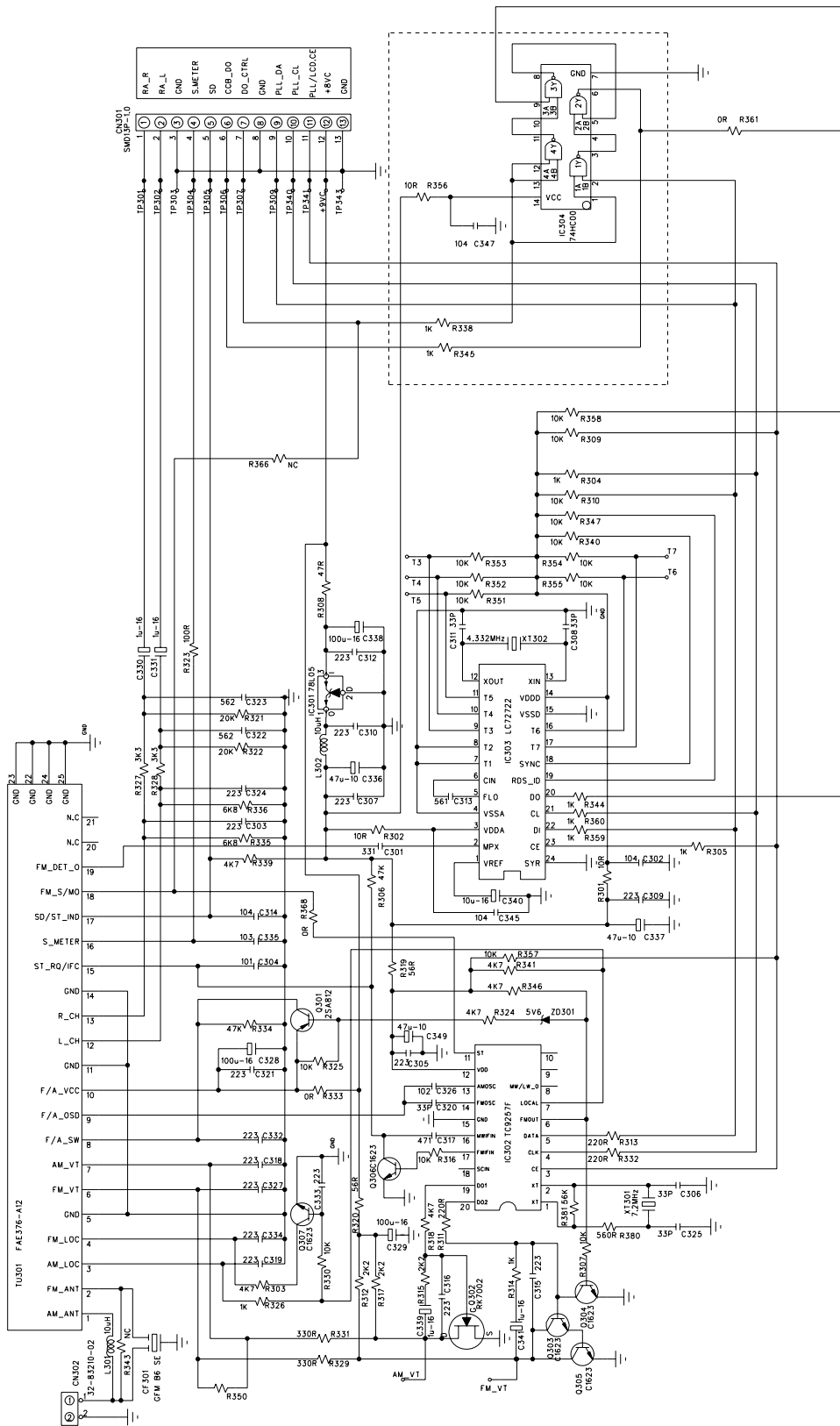
SCHEMATIC DIAGRAM (BLUETOOTH BOARD



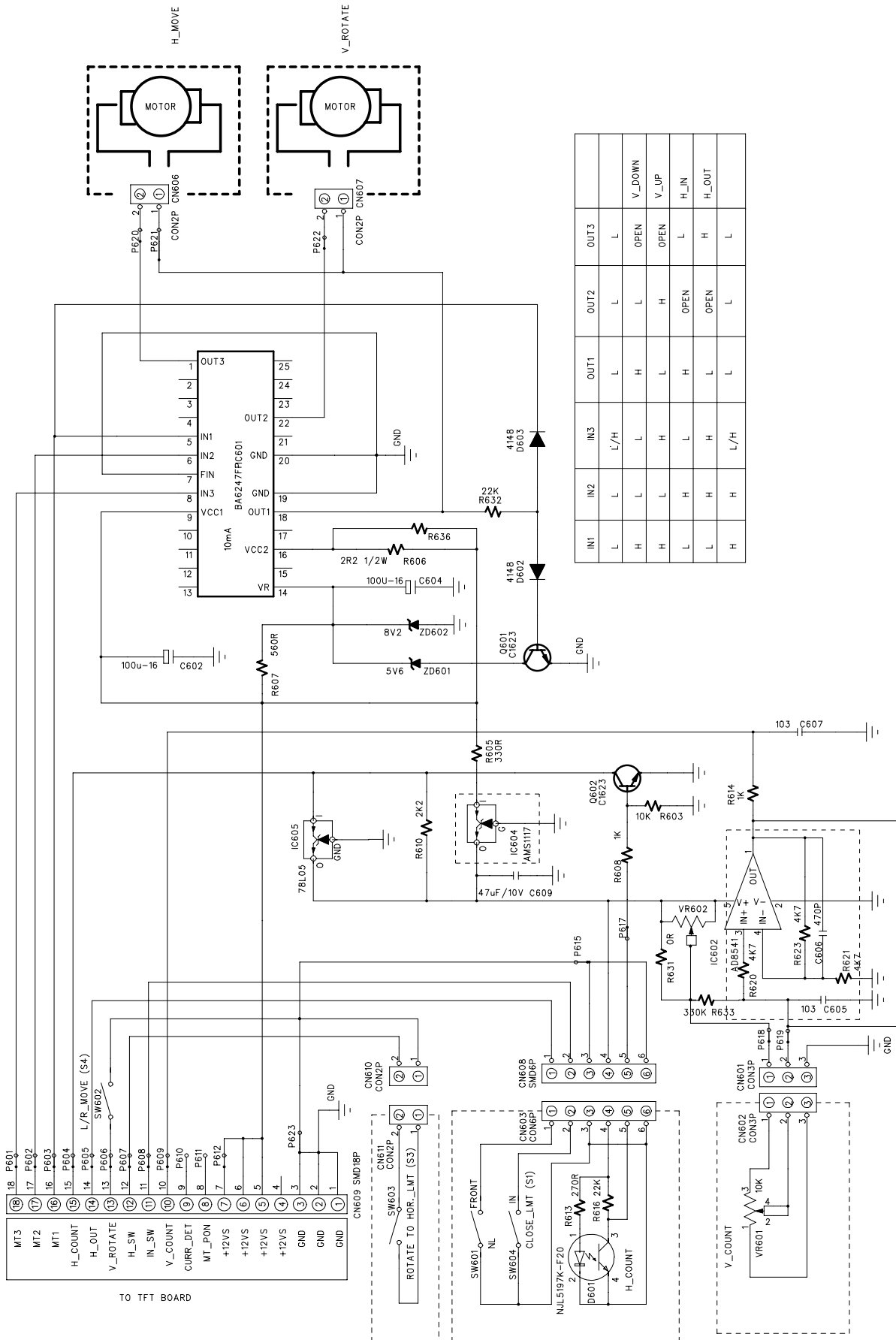
SCHEMATIC DIAGRAM (KEY BOARD)



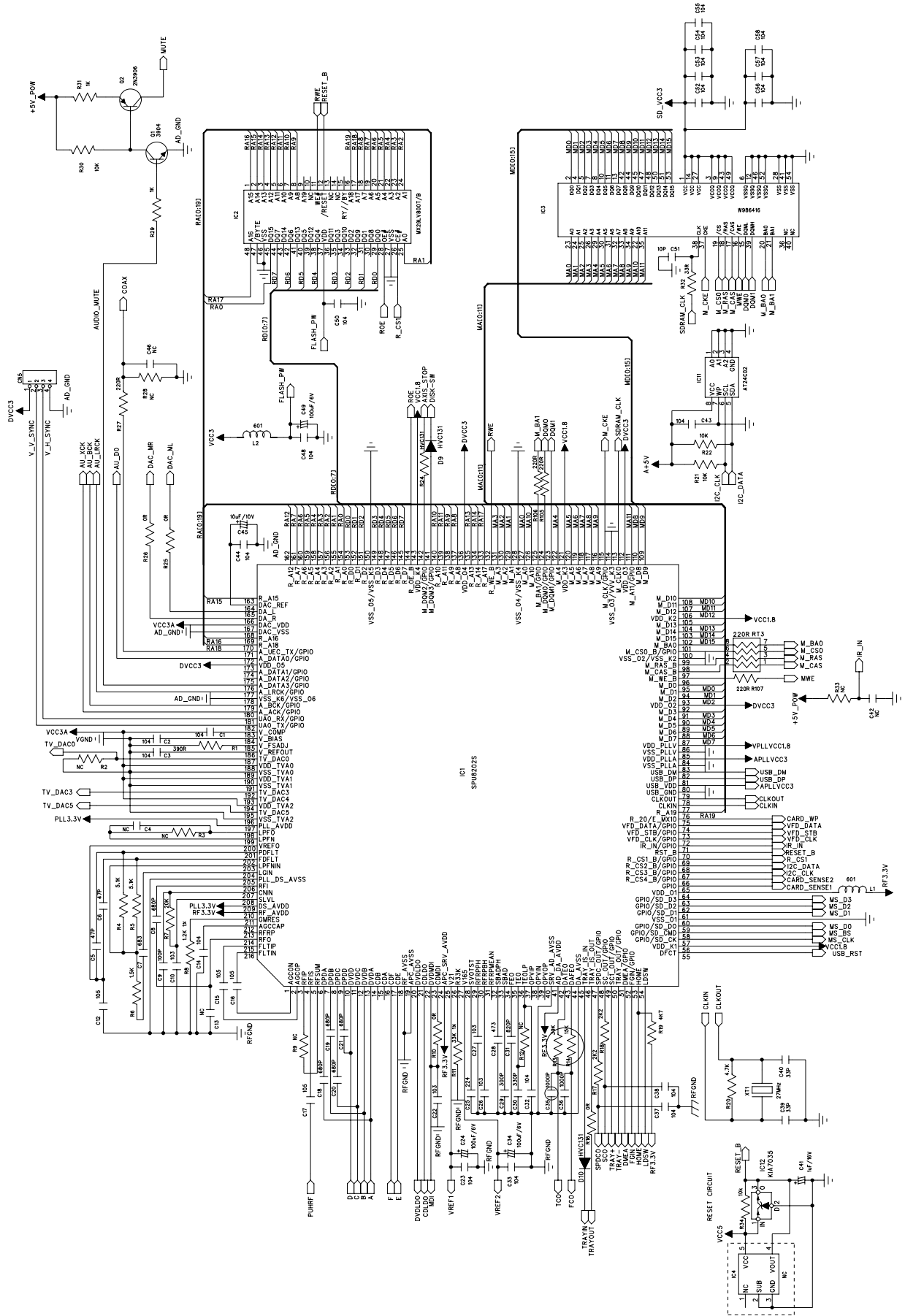
SCHEMATIC DIAGRAM (RADIO BOARD)



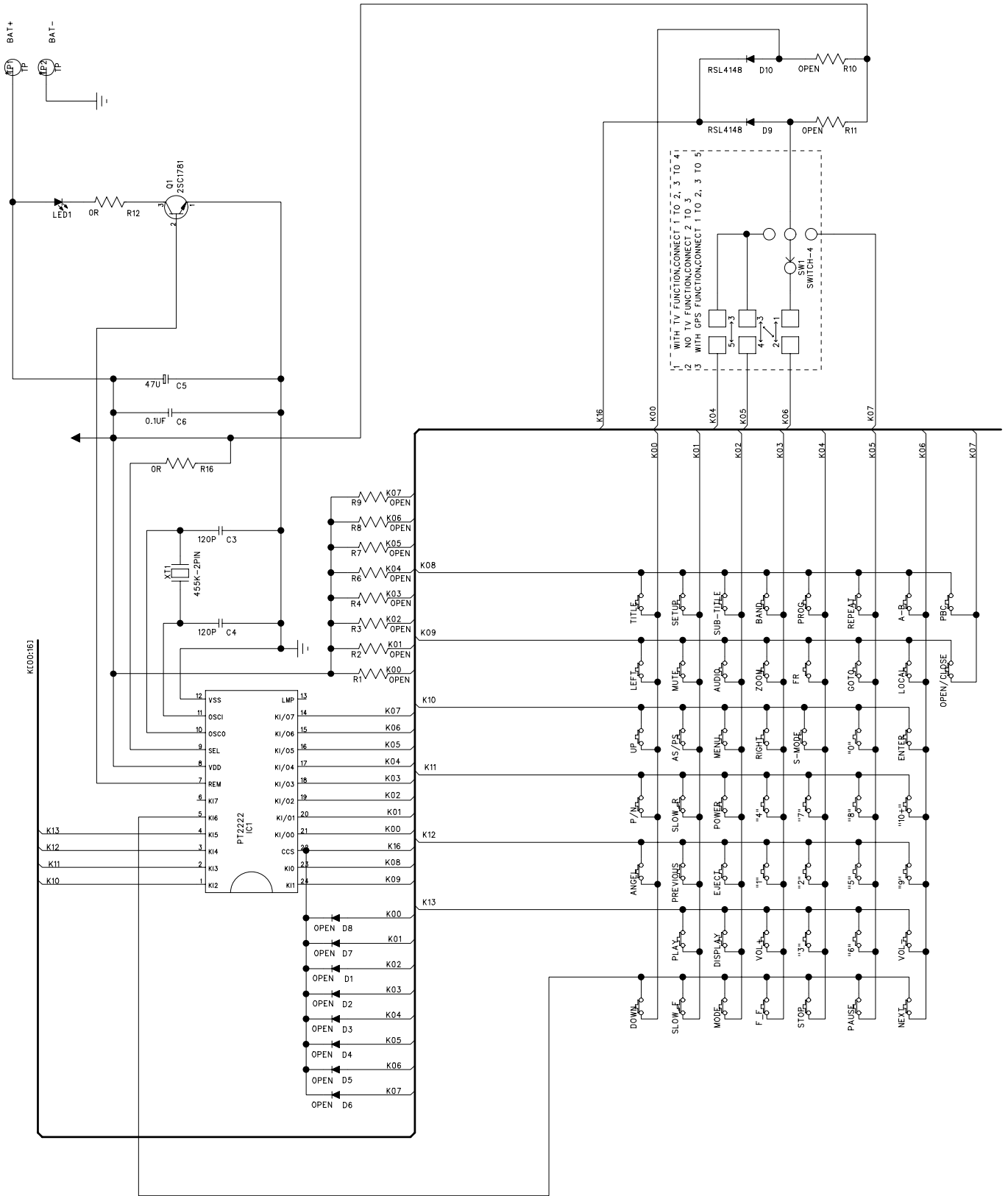
SCHEMATIC DIAGRAM (MOTOR BOARD)



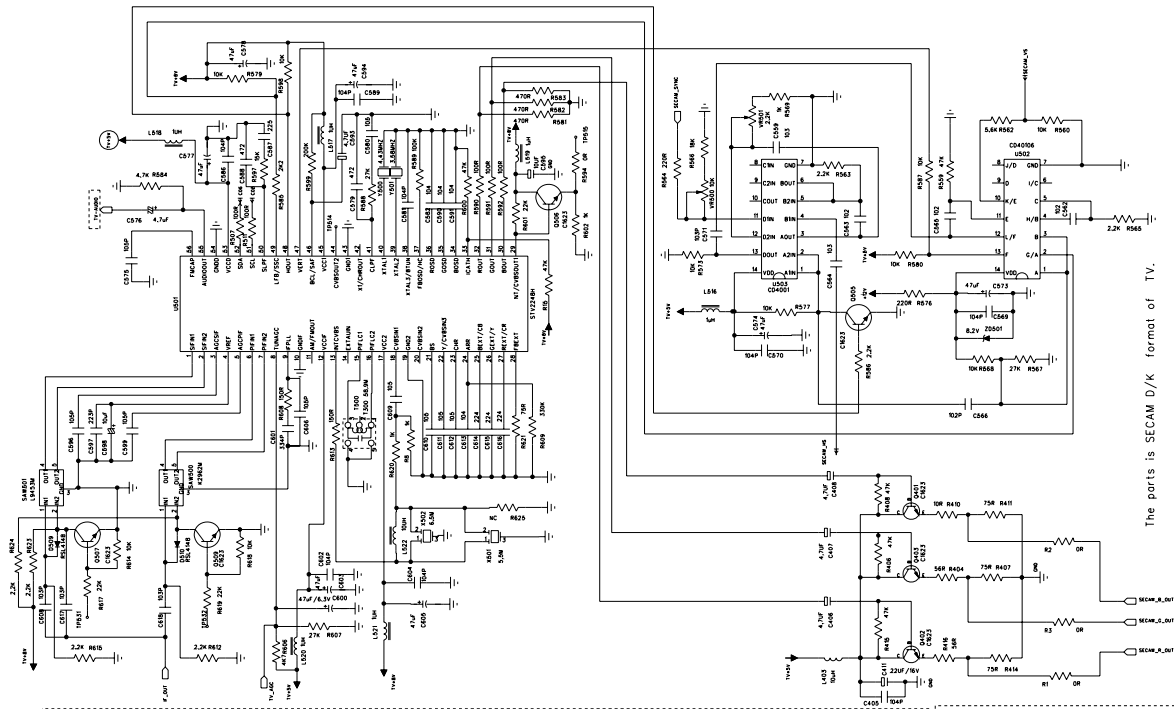
SCHEMATIC DIAGRAM (SERVO BOARD)



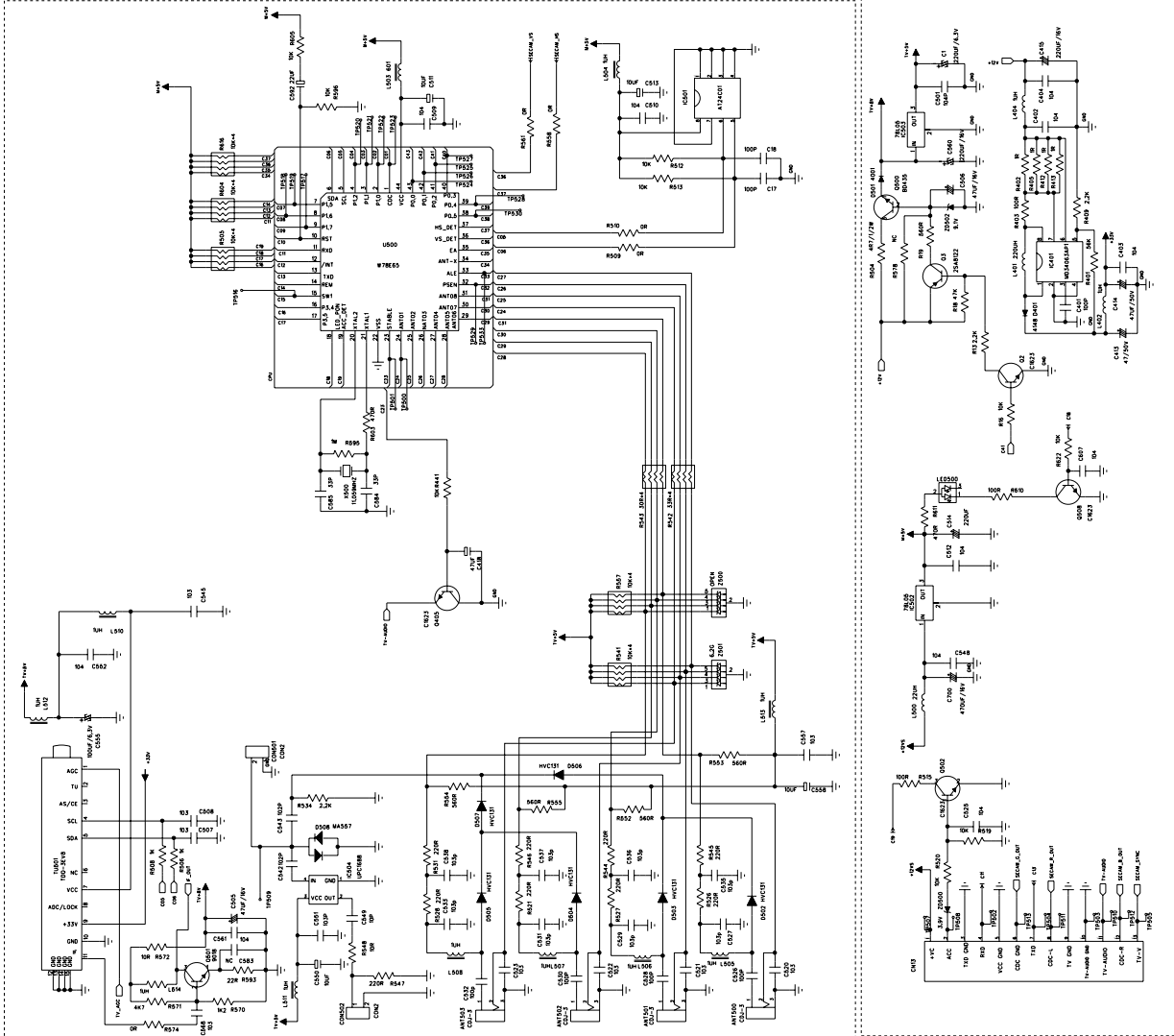
SCHEMATIC DIAGRAM (REMOTE BOARD)



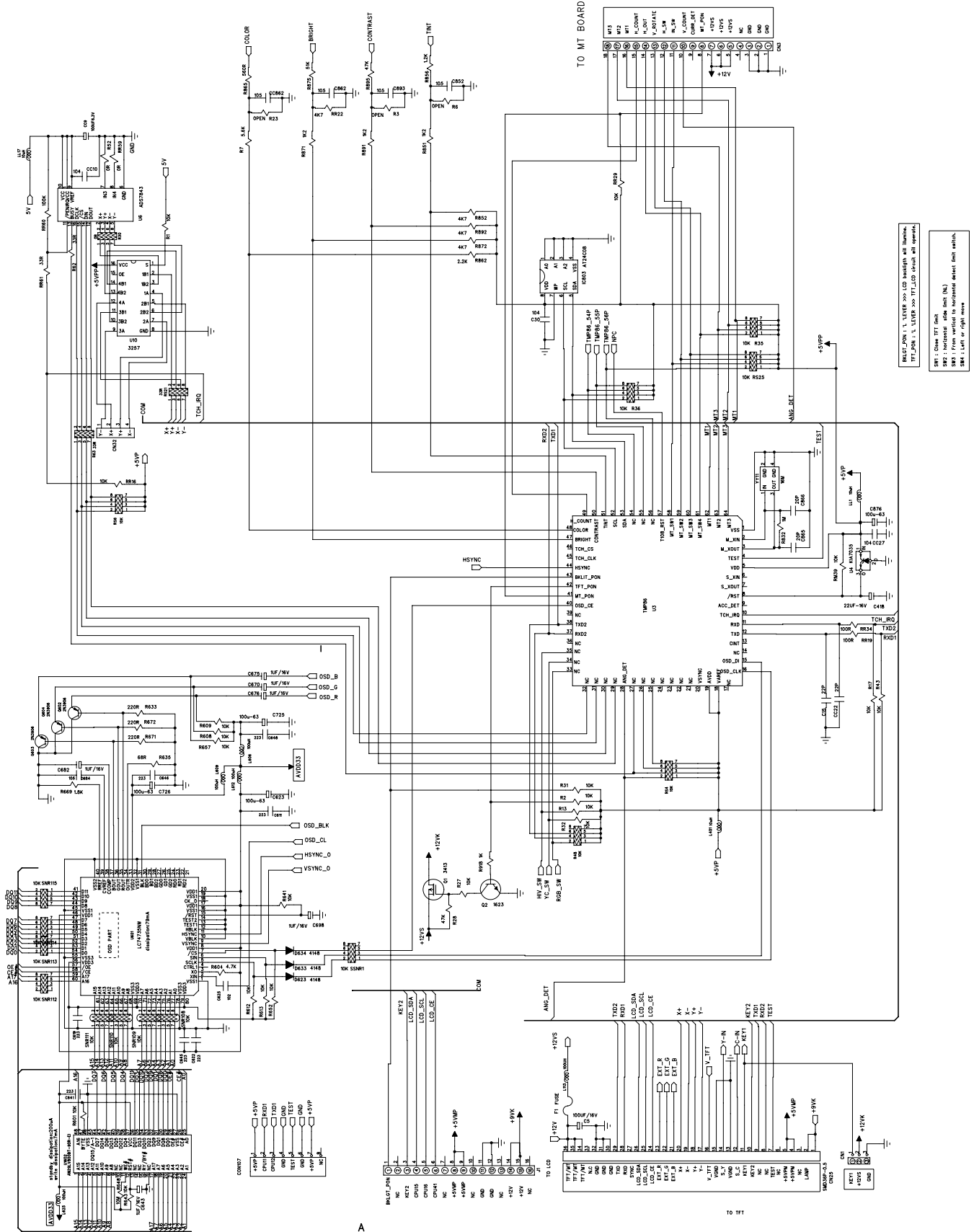
SCHEMATIC DIAGRAM (TV BOX BOARD)



The parts is SECAM D/K format of TV.



SCHEMATIC DIAGRAM (SWITCH BOARD)



A

10/11

ELECTRICAL PARTS LIST

Ref. No.	Part No.	Description	Q'ty
PC BOARD ASSY, MAIN BOARD			
IC114	0300-086491-03	IC TMP84FS49 QFP64 TOSHIBA DVD7020 TOUCH SECAM TV MB ROHS	1
U3	0300-086491-05	IC TMP86FS49 QFP64 TOSHIBA DVD-7020 TOUCH SECAM TV TFT ROHS	1
C221,269	0500-016105-00	TAN CAP SMD 1uF 16V ±10% 3.2x1.6x1.6MM ROHS	2
C172	0500-016475-00	TAN. CAP 4.7UF 16V ±10% ROHS	1
C165	0500-063102-02	CHIP 1000PF +/-10% 50V COG SMT0603 ROHS	1
C303,324	0500-063153-01	CER.CAP SMD 0.015uF 50V ±10 X7R 0603 ROHS	2
R105,51,49,44,45,242,244,179,TEST	0700-063000-00	RES SMD 0Ω ±5% 1/10W 0603 ROHS	9
R27,29	0700-063101-00	RES SMD 100Ω ±5% 1/10W 0603 ROHS	2
R294	0700-063102-00	RES SMD 1KΩ ±5% 1/10W 0603 ROHS	1
R142/3	0700-063103-00	RES SMD 10KΩ ±5% 1/10W 0603 ROHS	2
R53,189	0700-063330-00	RES SMD 33Ω ±5% 1/10W 0603 ROHS	2
R287	0700-063471-00	RES SMD 470Ω ±5% 1/10W 0603 ROHS	1
R214,48,216,9	0700-063750-00	RES SMD 75Ω ±5% 1/10W 0603 ROHS	4
MB	1121-702035-023	PCB DVD7020 (1POD) MB D/S THK=1.2X161X173MM (FR-4)	1
CN106	2500-001950-13	SOCKET SMD 13PIN P=1.0 BOTTOM-CONTACT H-TYPE Jing- Shi ROHS	1
CN105	2500-702020-00	SOCKET SMD 20PIN PITCH=0.5MM TOP CONTACT HORI-TYPE ROHS	1
F5	3300-600320-03 B	FUSE SMT 1206(466003)3A32V COMMAN-TYPE ROHS	1
IC108	0300-007388-00	IC TDA7388 (4x40W) ST "Y" ROHS	1
	2500-005070-20	20PIN PITCH=0.5MM L=70MM FFC ROHS	1
CN103	2500-702000-13	WIRE 13PIN TV SOCKET 210MM PITCH=2.0MM 90 ROHS	1
AV/RCA OUTPUT	3200-000480-11	OUT SKT 6/2/10 PITCH=2.0MM L=300MM ROHS	1
CN108	3200-002180-02	IR WIRE W/CD JACK 260MM ROHS	1
Q127A,Q130	0100-000103-00	TR. KEC103S ROHS	2
Q131	0100-000106-00	KRA106S (SOT-23) SMD ROHS	1
Q116,117,119,121,120,118,128,135-138,127,16,17	0100-000231-00	TR.SMD NPN KRC231S SOT-23 KEC ROHS	14
Q10	0100-000812-00	TR PNP 2SA812 SOT-23 KEC ROHS	1

ELECTRICAL PARTS LIST-CONTNUED

Ref. No.	Part No.	Description	Q'ty
Q112,114,123,9	0100-001623-00	TR NPN 2SC1623(L7) SOT-23 NEC ROHS	4
Q115	0100-003904-00	TR NPN 2N3904 SOT-23 ROHS	1
Q105,108,109	0100-003906-00	TR PNP 2N3906 SOT-23 ROHS	3
Q107,161,18	0100-004375-00	TR NPN KTC4375-Y SOT-89 ROHS	3
ZD1~5	0200-000062-07	E.S.D.DIODE SMD NNCD6.2G SOT23-5L ROHS	5
D136,121,122	0200-002040-00	SCHOTTKY MBRS2040T3 SMD ROHS	3
D128,114,132,127,126,129,107,108,3,4	0200-004148-02	DIODE SMD RLS4148 LL-34 ROHM ROHS	10
ZD101	0200-050036-02	ZENER DIODE SMD 3.6V 0.5W ±2% LL-34 ROHS	1
ZD8/11/9	0200-050091-01	ZENER DIODE SMD 9.1V 0.5W ±5% LL-34 ROHS	3
ZD105	0200-050100-02	ZENER DIODE SMD 10V 0.5W ±5% LL-34 ROHS	1
IC101	0300-001275-00	XP 132A1275SR SOP-8 POWEER MOSFET	1
IC906	0300-002313-00	I.C.PT2313L ROHS	1
IC110	0300-002408-01	IC AT24C08 SOIC ATMEL ROHS	1
IC702	0300-002526-01	IC NJM2526 SSOP16 JRC 1/4SWITCH ROHS	1
IC162	0300-002575-01	IC NJM2575F (MTP6) ROHS	1
IC102,905	0300-004052-03	IC CHIP BU4052BCF ROHM ROHS	2
IC112	0300-004060-06	IC ACT4060SH DC/DC SOP8 ROHS	1
IC4,115,106	0300-004558-26	I.C. NJM4558M(SOP-8) ROHS	3
IC123	0300-007035-01	IC KIA7035AF SOF-89 ROHS	1
IC105	0300-007201-00	IC NJU7201 U50 (SOT-89)5V ROHS	1
U118	0300-007818-02	REGULATOR NJM78L18 SOT-89	1
IC109	0300-008563-01	IC PCF8563T TSSOP8 CLOCK ROHS	1
IC120	0300-017805-00	IC CHIP BA178M05FP ROHM ROHS	1
XT101	0400-000016-02	CRYSTAL 16MHZ SMD 4PIN 20PPM 20PF 6X5X1MM	1
XT102	0400-000327-00	CRYSTAL 32.768KHZ +/-20PPM ZDT-38(φ3X8MM) 12.5PF SW-0227 ROHS	1
C129,130,120,128,4	0500-003105-10	CER.CAP SMD 1uF 16V +80/-20% Y5V 0805 ROHS	5
C190,201,207,206,199,197,194,203,202,34,35	0500-016105-00	TAN CAP SMD 1uF 16V ±10% 3.2x1.6x1.6MM ROHS	11
C105,107,94,290,287,291,292,191,24,20,22,32,33,183,37,178,179,104,106,208,23,84	0500-016106-10	TAN CAP SMD 10uF 16V ±10% 3.2x1.6x1.6MM ROHS	22

ELECTRICAL PARTS LIST-CONTNUED

Ref. No.	Part No.	Description	Q'ty
C41,25	0500-016225-54	TAN CAP SMD 2.2uF 16V ±10% 3.2x1.6x1.6MM ROHS	2
C168,186,166,167,187,6,10,9,5,1 71,2,192	0500-016475-00	TAN. CAP 4.7UF 16V ±10% ROHS	11
C177,181	0500-020106-00	TAN CAP CHIP 10U 20V 3.5X2.8X2.0MM SMD ROHS	2
C113,114,254,257,258,255	0500-063100-00	CER.CAP SMD 10PF 50V ±5% NPO 0603 ROHS	6
C298,299,195,297,1,2,135,47,46, 49,48,45,50,196	0500-063101-00	CER.CAP SMD 100PF 50V ±5% NPO 0603 ROHS	15
C108~110/153,131~134,293,294	0500-063102-02	CHIP 1000PF +/-10% 50V COG SMT0603 ROHS	12
C137,136,241	0500-063103-00	CER CAP SMD 10NF 50V +80/-20% Y5V 0603 ROHS	3
C141,144,176,175	0500-063104-00	CER.CAP SMD 0.1uF 50V +80/-20% Y5V 0603 ROHS	4
C164,152	0500-063200-00	CER.CAP SMD 20PF 50V ±5% NPO 0603 ROHS	2
C188,189,193	0500-063220-00	CER.CAP SMD 22PF 50V ±5% NPO 0603 ROHS	3
C125,92,93	0500-063222-00	CER.CAP SMD 2200PF 50V ±5% NPO 0603 ROHS	3
C127,158,147,242,154,118,170,1 46,26,148,100,111A,122A,151,14 5,12,9,44,162,98,8	0500-063223-00	CER.CAP SMD 0.022uF 50V ±5% NPO 0603 ROHS	21
C28-31	0500-063224-00	CHIP CAP 0.22UF +/-10% 0603 SMT ROHS	4
C112,121,212,213	0500-063330-00	CER.CAP SMD 33PF 50V ±5% NPO 0603 ROHS	4
C36,42	0500-063334-00	CER.CAP SMD 0.33uF 25V X7R ±10% 0603 ROHS	2
C39,40	0500-063472-00	CER.CAP SMD 4.7NF 50V ±10% X7R 0603 ROHS	2
C159	0500-063474-00	CER.CAP SMD 0.47uF 16V +80/-20% Y5V 0603 ROHS	1
C232,216,184,217,11,38,43,27	0600-010476-55	TAN CAP CMD 47uF 10V ±10% 3.5x2.8x1.9MM ROHS	8
C230,231,52,244,209,234,96,83, 85	0600-016226-55	TAN CAP 22U/16V SMD(3.5X2.8X2.0MM) ROHS	9
C140,200,210,214,211,88,91,260	0600-016476-55	TAN CAP 47UF 16V (SMD6032) ROHS	8
C218/124	0600-020226-55	TAN CAP SMD 22uF 20V +/-10% 105°C 7.3X4.3X1.9MM (20TQC22M) ROHS	2
C89,126,259,256,228,95,99	0600-063107-55	TAN CAP SMD 100uF 6.3V ±10% 3.5x2.8x2.0 ROHS	7

ELECTRICAL PARTS LIST-CONTNUED

Ref. No.	Part No.	Description	Q'ty
R127,126,125,194,276,213,1,110 ,206-209,55,211,215,218	0700-063000-00	RES SMD 0Ω ±5% 1/10W 0603 ROHS ROHS	15
R220	0700-063047-00	RES SMD 4.7Ω ±5% 1/10W 0603 ROHS	1
R2,20,17,18,19,005,007~011,274 ,107,1,111,116,177,270,273,243, 219,222,221,34,30,31,136,140	0700-063101-00	RES SMD 100Ω ±5% 1/10W 0603 ROHS	28
R173,174,146,147,61,232,14,120	0700-063102-00	RES SMD 1KΩ ±5% 1/10W 0603 ROHS	8
R4,58,59,60,62,204,31,30,196,10 2,150,155,192,176,292,295,200,2 01,202,203,113,139,26,233,230,2 63,25,161,37,38,162,57,149,198, 245,145,185	0700-063103-00	RES SMD 10KΩ ±5% 1/10W 0603 ROHS	38
SNR101~104,SNR106,SNR116	0700-063103-04	RES SMD 10KΩ ±5% 1/10W YC164(0603x4) ROHS	6
R184,22,212	0700-063104-00	RES SMD 100KΩ ±5% 1/10W 0603 ROHS	3
R153	0700-063153-00	RES SMD 15KΩ ±5% 1/10W 0603 ROHS	1
R104	0700-063181-00	RES SMD 180Ω ±5% 1/10W 0603 ROHS	1
R165,164,159,156	0700-063203-00	RES SMD 20KΩ ±5% 1/10W 0603 ROHS	4
R271,11	0700-063220-00	RES SMD 22Ω ±5% 1/10W 0603 ROHS	2
R187,186,280,273,72,246	0700-063221-00	RES SMD 220Ω ±5% 1/10W 0603 ROHS	6
SNR117	0700-063221-04	CHIP CN34JT 220R (0603X4SMT)	1
R115,134,132,193	0700-063222-00	RES SMD 2.2KΩ ±5% 1/10W 0603 ROHS	4
R130,131,178,112,128,190,129,2 47,109,108,225,229,36,39	0700-063223-00	RES SMD 22KΩ ±5% 1/10W 0603 ROHS	14
L1,R12	0700-063330-00	RES SMD 33Ω ±5% 1/10W 0603 ROHS	2
SNR107	0700-063330-04	RES SMD 33Ω ±5% 1/10W YC164(0603x4) ROHS	1
R32,33	0700-063332-00	RES SMD 3.3KΩ ±5% 1/10W 0603 ROHS	2
R144,114,252,253,254,255	0700-063393-00	RES SMD 39KΩ ±5% 1/10W 0603 ROHS	6
R262,249	0700-063470-00	RES SMD 47Ω ±5% 1/10W 0603 ROHS	2
R284,283,288	0700-063471-00	RES SMD 470Ω ±5% 1/10W 0603 ROHS	3
R256,257,197	0700-063472-00	RES SMD 4.7KΩ ±5% 1/10W 0603 ROHS	3
SNR105	0700-063472-04	CHIP CN34JT 4.7K(0603X4SMT) ROHS	1
R170,168,166,175,123,158,121,1 22,154,3,6-8,10,250,251	0700-063473-00	RES SMD 47KΩ ±5% 1/10W 0603 ROHS	17
R236,237	0700-063512-00	RES SMD 5.1KΩ ±5% 1/10W 0603 ROHS	2
R240,238,289,006	0700-063561-00	RES SMD 560Ω ±5% 1/10W 0603 ROHS	4
R106,103,224,275,269,217,223	0700-063750-00	RES SMD 75Ω ±5% 1/10W 0603 ROHS	7
R234/5	0700-063752-00	RES SMD 7.5KΩ ±5% 1/10W 0603 ROHS	2
R205,160,163	0700-063823-00	RES SMD 82KΩ ±5% 1/10W 0603 ROHS	3

ELECTRICAL PARTS LIST-CONTNUED

Ref. No.	Part No.	Description	Q'ty
L128,113,105,114,102,116,201,R 167	0900-000100-54	INDUCTOR 10uH SMD 0805 ROHS	8
L119A,120,132	0900-022113-00	INDUCTOR 220uH (CDH125-221M) 12.3X6MM ROHS	3
L122,110,123	0900-070010-02	CHIP CI160808-IROK 0603 ROHS	3
CN112	2500-036905-40	CON CHIP 40PIN FPC	1
	2500-721036-03	PITH=0.5MM(DOWNCONACT) CON CHIP 36PIN FPC PITCH=0.5MM (DOWN CONTACT) ROHS	1
F101	3300-600320-03 B	FUSE SMT 1206(466003)3A32V COMMAN-TYPE ROHS	1
C237	0600-016338-00 N	E.CAP 3300UF 16V 105°C ϕ 12X25MM XK ROHS	1
C233	0600-016478-00	E.CAP 4700uF 16V (ϕ 8X32MM) ROHS	1
R258	0700-005047-00	RES 4.7 Ω \pm 5% 1/4W ROHS	1
	1111-070200-373	DVD7020 36PIN FLEXIBLE PCB 18P/36P L=283MM	1
CN121	4900-004010-50	DC FAN DCV 12V SIZE=40X40X10MM WIRE 65MM ROHS	1
PC BOARD ASSY, MAIN BOARD FM TUNER SECTION			
Q301	0100-000812-00	TR PNP 2SA812 SOT-23 KEC ROHS	1
Q303~307	0100-001623-00	TR NPN 2SC1623 SOT-23 NEC ROHS	5
Q302	0100-007002-00	TR CHIP RK7002 ROHM ROHS	1
ZD301	0200-050056-01	ZENER DIODE SMD 5.6V 0.5W \pm 2% LL-34 ROHS	1
IC301	0300-007805-02	KIA 78L05F (SOT-89) ROHS	1
IC302	0300-009257-00	IC TC9257F ROHS	1
XT301	0400-000072-02	CRYSTAL 7.2MHZ HC-49US SMD CL=20PF ROHS	1
C330/1/9,341	0500-016105-00	TAN CAP SMD 1uF 16V \pm 10% 3.2x1.6x1.6MM ROHS	4
C304,351,352	0500-063101-00	CER.CAP SMD 100PF 50V \pm 5% NPO 0603 ROHS	3
C326	0500-063102-00	CER.CAP SMD 1000PF 50V \pm 5% NPO 0603 ROHS	1
C335	0500-063103-01	CER.CAP SMD 0.01uF 50V \pm 10% X7R 0603 ROHS	1
C314,302	0500-063104-01	CER.CAP SMD 0.1uF 50V \pm 10% X7R 0603 ROHS	2
C306,325	0500-063220-00	CER.CAP SMD 22PF 50V \pm 5% NPO 0603	2

ELECTRICAL PARTS LIST-CONTNUED

Ref. No.	Part No.	Description	Q'ty
C305/7/9,310/2/5/6/8/9,321/7,332 ~334	0500-063223-01	CER.CAP SMD 0.022uF 50V ±10% X7R 0603 ROHS	14
C320	0500-063330-00	CER.CAP SMD 33PF 50V ±5% NPO 0603 ROHS	1
C317	0500-063471-00	CER.CAP SMD 470PF 50V ±5% NPO 0603 ROHS	1
C322,323	0500-063562-01	CER.CAP SMD 5600PF 50V ±10% X7R 0603 ROHS	2
C336/7,349	0600-010476-55	TAN CAP CMD 47uF 10V ±10% 3.5x2.8x1.9MM ROHS	3
C328,338,329	0600-016107-55	TAN CAP SMD 100uF 16V ±10% 7.3x4.3x2.8 ROHS	3
R333,368,343	0700-063000-00	RES SMD 0Ω ±5% 1/10W 0603 ROHS ROHS	3
R301	0700-063100-00	RES SMD 10Ω ±5% 1/10W 0603 ROHS	1
R323,319	0700-063101-00	RES SMD 100Ω ±5% 1/10W 0603 ROHS	2
R304,326	0700-063102-00	RES SMD 1KΩ ±5% 1/10W 0603 ROHS	2
R310,307,316,357,325,330	0700-063103-00	RES SMD 10KΩ ±5% 1/10W 0603 ROHS	6
R321/2	0700-063203-00	RES SMD 20KΩ ±5% 1/10W 0603 ROHS	2
R311,313,332	0700-063221-00	RES SMD 220Ω ±5% 1/10W 0603 ROHS	3
R315,312/7	0700-063222-00	RES SMD 2.2KΩ ±5% 1/10W 0603 ROHS	3
R329,331	0700-063331-00	RES SMD 330Ω ±5% 1/10W 0603 ROHS	2
R327/8	0700-063332-00	RES SMD 3.3KΩ ±5% 1/10W 0603 ROHS	2
R308	0700-063470-00	RES SMD 47Ω ±5% 1/10W 0603 ROHS	1
R314	0700-063471-00	RES SMD 470Ω ±5% 1/10W 0603 ROHS	1
R303,318,324,346,339,341	0700-063472-00	RES SMD 4.7KΩ ±5% 1/10W 0603 ROHS	6
R306,334	0700-063473-00	RES SMD 47KΩ ±5% 1/10W 0603 ROHS	2
R320	0700-063560-00	RES SMD 56Ω ±5% 1/10W 0603 ROHS	1
R380	0700-063561-00	RES SMD 560Ω ±5% 1/10W 0603 ROHS	1
R381	0700-063563-00	RES SMD 56KΩ ±5% 1/10W 0603 ROHS	1
R335/6	0700-063682-00	RES SMD 6.8KΩ ±5% 1/10W 0603 ROHS	2
L301/2	0900-000100-54	INDUCTOR 10uH SMD 0805 ROHS	2
FOR ANT	0900-002313-00	CTNF-50B 23X13X13 FOR CE ROHS	1
	1121-702031-123	PCB TB D/S THK=1.2MMX123X42(FR-4)	1
CN301	2500-008360-13	SOCKET SMD 13PIN P=1.0MM	1
	A	TOP-CONTACT H-TYPE Hong- XingChen ROHS	
CN301	2500-0F1080-13	13PIN TITCH=1.00MM L-80MM FFC	1
TU301	2900-000376-04	MITSUMI TUNER FAE376 ORIT 65~108MH (H-TYPE) ROHS	1

ELECTRICAL PARTS LIST-CONTNUED

Ref. No.	Part No.	Description	Q'ty
TUNER TO GND	3200-020050-10	AWG#20 WIRE 50MM BLACK W/PLATE ROHS	1
CN302	3200-083240-00	ANT SOCKET W/GND ϕ 3MM L=240MM ROHS	1
PC BOARD ASSY, KEY BOARD			
D501~11/3/4,522~4	0200-001112-06	SMD LED 0805 SUPER BLUE ROHS	16
	1121-702021-303	PCB LCD D/S THK=1.0X14X165MM(FR-4)	1
	1121-702021-323	PCB KB D/S THK=1.0X30X171MM (FR-4)	1
SW501~7/9~12	1600-001140-04	SWITCH TACT SMD KPS-1107SW	18
	A	6.1x3.7x2.5MM TAPPING ROHS	
SW518	1600-036900-00	FIVE DIRECTION SWITCH TD5F	1
CN501	2500-702020-05	SOCKET SMD 20PIN PITCH=0.5MM BOTTOM CONTACT HORI- TYPE ROHS	1
JK501	1600-000035-10	ϕ 3.5MM JACK BLACK ROHS	1
SW521	1600-051377-00	SWITCH PUSH SPPB51377A(DS-20)	1
	K	6.3x3x8.5MM KONEX ROHS	
Q502	0100-000812-00	TR PNP 2SA812 SOT-23 KEC ROHS	1
Q501	0100-001623-00	TR NPN 2SC1623(L7) SOT-23 NEC ROHS	1
D519~21,516~8	0200-001112-02J	LED SMD RED WL=100MCD WL=625NM 0805 WENRUN ROHS	6
IC501	0300-075823-01	IC SC75823W SQFP64 ROHS	1
C506,507	0500-063103-00	CER CAP SMD 10NF 50V +80/-20% Y5V 0603 ROHS	2
C505	0500-063223-01	CER.CAP SMD 0.022uF 50V \pm 10% X7R 0603 ROHS	1
C503/4	0500-063473-01	CER.CAP SMD 0.047uF 50V \pm 10% X7R 0603 ROHS	2
C502	0500-063821-00	CER.CAP SMD 820PF 50V \pm 5% NPO 0603 ROHS	1
C501	0600-010476-55	TAN CAP CMD 47uF 10V \pm 10% 3.5x2.8x1.9MM ROHS	1
R549	0700-063000-00	RES SMD 0 Ω \pm 5% 1/10W 0603 ROHS	1
R508~10,526,533	0700-063102-00	RES SMD 1K Ω \pm 5% 1/10W 0603 ROHS	5
R550,552	0700-063103-00	RES SMD 10K Ω \pm 5% 1/10W 0603 ROHS	2
R545,540	0700-063152-00	RES SMD 1.5K Ω \pm 5% 1/10W 0603 ROHS	2
R514,518,527	0700-063181-00	RES SMD 180 Ω \pm 5% 1/10W 0603 ROHS	3
R515,525,519	0700-063221-00	RES SMD 220 Ω \pm 5% 1/10W 0603 ROHS	3
R505,541,546	0700-063222-00	RES SMD 2.2K Ω \pm 5% 1/10W 0603 ROHS	3
R530,502,513,534,536,537,512	0700-063271-00	RES SMD 270 Ω \pm 5% 1/10W 0603 ROHS	7

ELECTRICAL PARTS LIST-CONTNUED

Ref. No.	Part No.	Description	Q'ty
R531,516,535,504,529	0700-063331-00	RES SMD 330Ω ±5% 1/10W 0603 ROHS	5
R542/7	0700-063332-00	RES SMD 3.3KΩ ±5% 1/10W 0603 ROHS	2
R528	0700-063470-00	RES SMD 47Ω ±5% 1/10W 0603 ROHS	1
R517,532	0700-063471-00	RES SMD 470Ω ±5% 1/10W 0603 ROHS	2
R503,543,551	0700-063472-00	RES SMD 4.7KΩ ±5% 1/10W 0603 ROHS	3
R524,506,548	0700-063681-00	RES SMD 680Ω ±5% 1/10W 0603 ROHS	3
R511	0700-063683-00	RES SMD 68KΩ ±5% 1/10W 0603 ROHS	1
R544	0700-063822-00	RES SMD 8.2KΩ ±5% 1/10W 0603 ROHS	1
L501	0900-000100-54	INDUCTOR 10uH SMD 0805 ROHS	1
	1121-702021-453	PCB SWITCH D/S THK=1.0X33X102MM	1
CN502	2500-036905-16	CON CHIP 16PIN PITCH=0.5MM FPC (DOWNCONTACT)	1
LCD1	0200-036901-06	BLUE LED BKLGHT WHITE BODY	1
CN505	2500-002840-03	RIBBON CABLE #28 3PIN 40MM ROHS	1
	2500-098002-01	1PIN POGO PIN D2.0MM H=908MM ROHS	2
LCD501	2710-702030-010	DVD7020 LCD FSTN POS PLK/WHT	1
	Y	F80012TT-P ROHS	
IC502	2900-001201-00	IR RECEIVER GP1UM261XK(SHARP) ROHS	1
	3100-070030-02	7X1.05 PVC WIRE 30MM RED ROHS	1
	3100-070030-10	7X1.05 PVC WIER 30MM BLACK ROHS	1
PC BOARD ASSY, SDK/CD SERVO BOARD			
IC1	0300-008202-01	SUNPLUS IC SPHE8202D-216PIN ROHS	1
Q3/4	0100-001132-00	TR PNP 2SB1132Q SOT-89 ROHM ROHS	2
Q5/6	0100-003018-00	TR CHIP 2SK 3018 ROHS	2
Q1/7	0100-003904-00	TR NPN 2N3904 SOT-23 ROHS	2
Q2	0100-003906-00	TR PNP 2N3906 SOT-23 ROHS	1
R9,10	0200-000131-00	DIODE HVC131 CHIP 0603 ROHS	2
D8	0200-004001-01	DIODE SMD IN-4001 SOD-106 TAPPING ROHS	1
D1~3,D6	0200-004148-02	DIODE SMD RLS4148 LL-34 ROHM ROHS	4
ZD1	0200-050051-03	ZENER DIODE SMD 5.1V 0.5W ±5% LL-34 ROHS	1
IC9	0300-001117-01	FIX 3.3V VOLTAGE REGVLATER AMS1117-3.3 ROHS	1
IC10	0300-001117-03	VOL TAGE REGVLATER AS1117-1.8 SOT-223 ROHS	1
IC11	0300-002402-00	EEPROMIC AT2402 SOIC ROHS	1
IC6	0300-005954-00	BA5954FP (HSOP-28PIN) ROHS	1
IC5	0300-006289-00C	IC BA6289F-E2 ROHM ROHS	1

ELECTRICAL PARTS LIST-CONTNUED

Ref. No.	Part No.	Description	Q'ty
IC3	0300-006416-00	IC 4*16 W9864G6GH-6 TSSOP-54PIN ROHS	1
IC12	0300-007035-01	IC KIA7035AF SOF-89 ROHS	1
IC2	0300-0P2980-00	IC AMD29LV800BT-90 TSOP-48 ROHS	1
XT1	0400-000270-06	CRYSTAL 27MHZ SMD 4PIN 20PPM 20PF 6X5X1MM	1
C41	0500-016105-00	TAN CAP SMD 1uF 16V ±10% 3.2x1.6x1.6MM ROHS	1
C45,76,98,100	0500-016106-10	TAN CAP SMD 10uF 16V ±10% 3.2x1.6x1.6MM ROHS	4
C51	0500-063100-00	CER.CAP SMD 10PF 50V ±5% NPO 0603 ROHS	1
C9,85~87	0500-063101-00	CER.CAP SMD 100PF 50V ±5% NPO 0603 ROHS	4
C35/6,68,73,97,99	0500-063102-02	CHIP 1000PF +/-10% 50V COG SMT0603 ROHS	6
C10,22,26/7	0500-063103-01	CER.CAP SMD 0.01uF 50V ±10% X7R 0603 ROHS	4
C1~3,14,23,32/3/7/8,43/4/8,50/2~ 9,63~65/7/9,71/4/5/7,80/2,131/5/6 /8,141/4/4~6	0500-063104-02	CER.CAP SMD 0.1uF 50V ±20% Y5V 0603 ROHS	48
C12,15~17	0500-063105-00	CER.CAP SMD 1uF 25V ±20% Y5V 0603 ROHS	4
C62	0500-063222-01	CER.CAP SMD 2200PF 50V ±10% X7R 0603 ROHS	1
C25	0500-063224-01	CER.CAP SMD 0.22uF 16V ±10% X7R 0603 ROHS	1
C29	0500-063301-00	CER.CAP SMD 300PF 50V ±5% NPO 0603 ROHS	1
C39,40,79	0500-063330-00	CER.CAP SMD 33PF 50V ±5% NPO 0603 ROHS	3
C30,60/1	0500-063331-00	CER.CAP SMD 330PF 50V ±5% NPO 0603 ROHS	3
C5/6	0500-063470-00	CER.CAP SMD 47PF 50V ±5% NPO 0603 ROHS	2
C28,66	0500-063473-01	CER.CAP SMD 0.047uF 50V ±10% X7R 0603 ROHS	2
C8,18~21	0500-063681-00	CER.CAP SMD 680PF 50V ±5% NPO 0603 ROHS	5
C7	0500-063683-01	CER.CAP SMD 0.068uF 50V ±10% X7R 0603 ROHS	1
C31	0500-063821-00	CER.CAP SMD 820PF 50V ±5% NPO 0603 ROHS	1

ELECTRICAL PARTS LIST-CONTNUED

Ref. No.	Part No.	Description	Q'ty
C120	0600-010476-55	TAN CAP CMD 47uF 10V ±10% 3.5x2.8x1.9MM ROHS	1
C78	0600-016476-55	TAN CAP 47UF 16V (SMD6032) ROHS	1
C24,34,49,70/2,81,130/2/7/9,140/ 2/3/7/9,151/5/8	0600-063107-55	TAN CAP SMD 100uF 6.3V ±10% 3.5x2.8x2.0 ROHS	18
R10,16,35,45/6/8,50/2/6,74/8,94/ 9,103/8,C121/5/7,R91,105~107,7 3,76,25,26	0700-063000-00	RES SMD 0Ω ±5% 1/10W 0603 ROHS ROHS	26
RT3	0700-063000-04	CHIP CN34JT (0603X4 SMT) ROHS	1
R37/8,42/3	0700-063010-00	RES SMD 10Ω ±5% 1/10W 0603 ROHS	4
R47,49	0700-063047-00	RES SMD 4.7Ω ±5% 1/10W 0603 ROHS	2
R102	0700-063100-00	RES SMD 10Ω ±5% 1/10W 0603 ROHS	1
R29,31,62	0700-063102-00	RES SMD 1KΩ ±5% 1/10W 0603 ROHS	3
R21/2,30/4,40/1/4,72/5,Q9	0700-063103-00	RES SMD 10KΩ ±5% 1/10W 0603 ROHS	10
R53/8	0700-063104-00	RES SMD 100KΩ ±5% 1/10W 0603 ROHS	2
R93	0700-063121-00	RES SMD 120Ω ±5% 1/10W 0603 ROHS	1
R8	0700-063122-01	RES SMD 1.2KΩ ±1% 1/10W 0603 ROHS	1
R6	0700-063152-00	RES SMD 1.5KΩ ±5% 1/10W 0603 ROHS	1
R14,C88/9	0700-063153-00	RES SMD 15KΩ ±5% 1/10W 0603 ROHS	3
R7	0700-063203-00	RES SMD 20KΩ ±5% 1/10W 0603 ROHS	1
R27	0700-063221-00	RES SMD 220Ω ±5% 1/10W 0603 ROHS	1
R17/8,63~66	0700-063222-00	RES SMD 2.2KΩ ±5% 1/10W 0603 ROHS	6
R36/9	0700-063223-00	RES SMD 22KΩ ±5% 1/10W 0603 ROHS	2
R32,71/1	0700-063330-00	RES SMD 33Ω ±5% 1/10W 0603 ROHS	3
R11	0700-063333-01	RES SMD 33KΩ ±1% 1/10W 0603 ROHS	1
R1	0700-063391-00	RES SMD 390Ω ±5% 1/10W 0603 ROHS	1
R13	0700-063393-00	RES SMD 39KΩ ±5% 1/10W 0603 ROHS	1
R54/5	0700-063471-00	RES SMD 470Ω ±5% 1/10W 0603 ROHS	2
R19/20	0700-063472-00	RES SMD 4.7KΩ ±5% 1/10W 0603 ROHS	2
R4/5	0700-063512-00	RES SMD 5.1KΩ ±5% 1/10W 0603 ROHS	2
R100	0700-085010-00	RES SMD 1Ω ±5% 1/8W 0805 ROHS	1
R101	0700-085022-00	CHIP RES2.2 0805 SMT ROHS W	1
L3/4	0900-000100-54	INDUCTOR 10uH SMD 0805 ROHS	2
L1,2,5,18~25	0900-000601-00	CHIP BG2012B601LB ROHS	11
L14	0900-031601-00	EMIFIL (SMD) BLM31P601SG ROHS	1
L9,10,26	0900-070010-02	CHIP CI160808-IROK 0603 ROHS	3
	1121-702010-223	PCB SB D/S THK=0.8X90X120MM SUNPLUS FOR 1782	1

ELECTRICAL PARTS LIST-CONTNUED

Ref. No.	Part No.	Description	Q'ty
CN3	2500-036905-40	CON CHIP 40PIN FPC PITH=0.5MM(DOWNCONACT)	1
N1	2500-050501-14	14P 0.5MM SMD SOCKEJ DOINNCONTACT	1
CN4	2500-050502-06	6P IMM SMD SOCKE UAPERCONTCT	1
CN2	2500-050502-30	SOCKET SMD 30PIN P=0.5MM TOP-CONTACT H-TYPE Guo Guang ROHS	1
	2500-005080-40	40PIN PITCH=0.5MM L-80MM FFC	1
	4000-001704-21	SCREW M1.7X4 KH/ST ROHS	3
	4000-002604-02	SCREW ϕ 2.6X4 KH/MS ROHS	4
	9400-021782-00	DVD MECH THIN SLOT TYPE (HPD-60) ROHS	1
	9700-000060-00	SHARP HPD-60(ROHS)	1
	9700-008127-00	FF-K20WD-08127 (ROHS) ROHS	1
	9700-009210-01	FF-N30VA-09210 ROHS	1
PC BOARD ASSY, SDK/CD MOTOR BOARD			
Q602/1	0100-001623-00	TR NPN 2SC1623 SOT-23 NEC ROHS	2
D602/3	0200-004148-02	DIODE SMD RLS4148 LL-34 ROHM ROHS	2
ZD601	0200-050056-01	ZENER DIODE SMD 5.6V 0.5W \pm 2% LL-34 ROHS	1
IC601	0300-006247-00	IC BA6247FP ROHS	1
IC605	0300-007805-02	KIA 78L05F (SOT-89) ROHS	1
C605/7	0500-063103-01	CER.CAP SMD 0.01uF 50V \pm 10% X7R 0603 ROHS	2
C609	0600-010476-55	TAN CAP CMD 47uF 10V \pm 10% 3.5x2.8x1.9MM ROHS	1
C602/4	0600-016107-55	TAN CAP SMD 100uF 16V \pm 10% 7.3x4.3x2.8 ROHS	2
R628	0700-063000-00	RES SMD 0 Ω \pm 5% 1/10W 0603 ROHS ROHS	1
R608	0700-063102-00	RES SMD 1K Ω \pm 5% 1/10W 0603 ROHS	1
R603	0700-063103-00	RES SMD 10K Ω \pm 5% 1/10W 0603 ROHS	1
R605	0700-063220-00	RES SMD 22 Ω \pm 5% 1/10W 0603 ROHS	1
R610	0700-063222-00	RES SMD 2.2K Ω \pm 5% 1/10W 0603 ROHS	1
R616,632	0700-063223-00	RES SMD 22K Ω \pm 5% 1/10W 0603 ROHS	2
R613	0700-063271-00	RES SMD 270 Ω \pm 5% 1/10W 0603 ROHS	1
R633	0700-063334-00	RES SMD 330K Ω \pm 5% 1/10W 0603 ROHS	1
	620 0700-063472-00	RES SMD 4.7K Ω \pm 5% 1/10W 0603 ROHS	1
R607	0700-063561-00	RES SMD 560 Ω \pm 5% 1/10W 0603 ROHS	1

ELECTRICAL PARTS LIST-CONTNUED

Ref. No.	Part No.	Description	Q'ty
	1121-702031-423	MOTOR PCB S/D SIZE=1.2X47X28MM	1
SW604	1600-001140-01	SWITCH DETECTOR SMD ESE22MH22 5.7x5x2.0MM SAKATA ROHS	1
SW602/3	1600-001140-02	SWITCH DETECTOR SMD ESE22MH24 5.7x5x2.0MM SAKATA ROHS	2
VR601	1700-000502-00	SEMI-FIXED VR5KB SMD EVM3Y ROHS	1
VR601	1800-000103-01	VOL SMD 10KΩ SV01A103AEA01 15x11x2.1MM MURATA ROHS	1
CN609	2500-001805-00	18PIN CON 0.5MM (UP CONTACT)(FZ18-0.5-TWS) ROHS	1
CN608	2500-050502-06	6P IMM SMD SOCKE UAPERCONTCT	1
ZD602	0200-050082-00	ZENER DIODE 8.2V 0.5W DO-35 ROHS	1
R606	0700-005022-10	RES 2.2Ω ±5% 1/2W ROHS	1
CN603	2500-010030-06	6PIN PITCH-1.0MM 1.30MM FFC(WITHONE END SMT)	1
CN606/7	2500-012560-02	AWG #30 PITCH=1.25MM L=60MM ROHS	2
CN602	2500-012590-03	AWG#30 PITCH=1.25MM L=90MM GREY 3PIN ROHS	1
CN611	2500-012595-02	AWG=30 PITCH 1.25MM L-95MM GREY	1
CN606/7,610	2500-036906-02L	DIP 2PIN PITCH=1.25MM 90°	3
CN601	2500-036906-03L	DIP 3PIN PITCH=1.25MM 90	1
D601	2900-005197-00	PHOTO REFLECORT NJLS197K-F20-TE1 ROHS	1
MOTOR	9700-012150-00	MOTOR FF-050SH-12150 ROHS	2
列印時間 : [09:51:01]		組件名稱 : TV-1872/SECAM D/K	
Q3	0100-000812-00	TR PNP 2SA812 SOT-23 KEC ROHS	1
Q402,403,401,2,508,505,502	0100-001623-00 R	TR NPN 2SC1623 SOT-23 NEC ROHS	7
Z501	0200-000062-07	E.S.D.DIODE SMD NNCD6.2G SOT23-5L ROHS	1
D502~507	0200-000131-00	DIODE HVC131 CHIP 0603 ROHS	6
D508	0200-000557-00	DIO CHIP MA557 PANASONIC ROHS	1
D501	0200-004001-01	DIODE SMD IN-4001 SOD-106 TAPPING ROHS	1
D401	0200-004148-02	DIODE SMD RLS4148 LL-34 ROHM ROHS	1
ZD500	0200-050039-01	ZENER DIODE SMD 3.9V 0.5W ±5% LL-34 ROHS	1
ZD501	0200-050082-01	ZENER DIODE SMD 8.2V 0.5W LL-34 ROHS	1
ZD502	0200-050091-01	ZENER DIODE SMD 9.1V 0.5W ±5% LL-34 ROHS	1

ELECTRICAL PARTS LIST-CONTNUED

Ref. No.	Part No.	Description	Q'ty
IC504	0300-001688-00	IC CHIP UPC1688C NEC ROHS	1
IC501	0300-002401-00	EEPROM (FLAT PACK) 24C01 ROHS	1
U503	0300-004001-01	IC CD4001 SOP14(TI) ROHS	1
IC502,503	0300-017805-00	IC CHIP BA178M05FP ROHM ROHS	2
IC401	0300-034063-01	MC34063A (SOP-8PIN)	1
U502	0300-040106-00	IC CD40106 SOP14 (TI) ROHS	1
U500	0300-078065-05	IC W78E65P-40(PLCC-44) DVD7020T SECAM TV BOX MCU ROHS	1
Y501	0400-003579-00	CRYSTAL 3.579MHZ +/-30PPM HC-49U/SM 20pf SM-1207 ROHS	1
Y500	0400-004433-00	CRYSTAL 4.433MHZ +/-30PPM HC-49U/SM 20pf SM-1206 ROHS	1
C557,549,597,512,510	0500-016106-10	TAN CAP SMD 10uF 16V ±10% 3.2x1.6x1.6MM ROHS	5
C592,406,407,408,575	0500-016475-00	TAN. CAP 4.7UF 16V ±10% ROHS	5
C506,507,525,527,529,531,401	0500-063101-00	CER.CAP SMD 100PF 50V ±5% NPO 0603 ROHS	7
C542,541,564,565,562,561	0500-063102-00	CER.CAP SMD 1000PF 50V ±5% NPO 0603 ROHS	6
C526,519,534,520,521,522,528,5 30,532,535,536,537,553,550,605, 616,617,570,563,556,558,567	0500-063103-00 N	CHIP CAP0.01UF/25V +/-20% 0603 X7R ROHS	22
C404,402,524,501,503,589,590,6 03,581,580,585,508,509,511,403, 560,551,568,569,601,588,612,60 6,405,547	0500-063104-00	CER.CAP SMD 0.1uF 50V +80/-20% Y5V 0603 ROHS	25
C595,598,609,610,611,608,579,574	0500-063105-00	CER.CAP SMD 1uF 25V ±20% Y5V 0603 ROHS	8
C548	0500-063200-00	CER.CAP SMD 20PF 50V ±5% NPO 0603 ROHS	1
C596	0500-063223-00	CER.CAP SMD 0.022uF 50V ±5% NPO 0603 ROHS	1
C615,613,614	0500-063224-00	CHIP CAP 0.22UF +/-10% 0603 SMT ROHS	3
C586	0500-063225-00	CER.CAP SMD 2.2uF 10V ±10% X7R 0603 ROHS	1
C583,584	0500-063330-00	CER.CAP SMD 33PF 50V ±5% NPO 0603 ROHS	2
C600	0500-063334-00	CER.CAP SMD 0.33uF 25V X7R ±10% 0603 ROHS	1
C587,578	0500-063472-00	CER.CAP SMD 4.7NF 50V ±10% X7R 0603 ROHS	2

ELECTRICAL PARTS LIST-CONTNUED

Ref. No.	Part No.	Description	Q'ty
C554,576,573,593,602,599	0600-010476-55	TAN CAP CMD 47uF 10V ±10% 3.5x2.8x1.9MM ROHS	6
C411	0600-016226-54 N	E-CAP CHIP 22UF/16V SMD ROHS	1
C572,577,604,559,591	0600-016226-55	TAN CAP 22U/16V SMD(3.5X2.8X2.0MM) ROHS	5
C415,502,504,505	0600-016227-54	E.CAP CHIP 220u/16V +/-10% ϕ 6.3X7.6 ROHS	4
C413,414	0600-050476-54	E CAP CHIP 47uF/50V 6.3X7.7L ROHS	2
C513,421,1	0600-063227-54	E.CAP SMD 220uF 6.3V ±10% ϕ 6.3x5MM ROHS	3
R509,510,574,561,558,615,538,4 34,1,2,3	0700-063000-00	RES SMD 0Ω ±5% 1/10W 0603 ROHS ROHS	11
R402,405,412,413	0700-063010-00	RES SMD 10Ω ±5% 1/10W 0603 ROHS	4
R572,548	0700-063100-00	RES SMD 10Ω ±5% 1/10W 0603 ROHS	2
R511,507,590,591,592,610,403,5 15	0700-063101-00	RES SMD 100Ω ±5% 1/10W 0603 ROHS	8
R620,419,569,506,508	0700-063102-00	RES SMD 1KΩ ±5% 1/10W 0603 ROHS	5
R16,579,580,587,577,573,560,56 8,425,427,428,596,605,512,20,59 8,622,520,519,421,422,423,424,9 ,513	0700-063103-00	RES SMD 10KΩ ±5% 1/10W 0603 ROHS	25
R541,557,616,431,604,505,426	0700-063103-04	RES SMD 10KΩ ±5% 1/10W YC164(0603x4) ROHS	7
R589	0700-063104-00	RES SMD 100KΩ ±5% 1/10W 0603 ROHS	1
R595	0700-063105-00	RES SMD 1M ±5% 1/10W 0603 ROHS	1
R570	0700-063122-00	RES SMD 1.2KΩ ±5% 1/10W 0603 ROHS	1
R613,608	0700-063151-00	RES SMD 150Ω ±5% 1/10W 0603 ROHS	2
R597	0700-063153-00	RES SMD 15KΩ ±5% 1/10W 0603 ROHS	1
R566	0700-063183-00	RES SMD 18KΩ ±5% 1/10W 0603 ROHS	1
R593	0700-063220-00	RES SMD 22Ω ±5% 1/10W 0603 ROHS	1
R564,576,531,528,521,527,526,5 44,545,546,547	0700-063221-00	RES SMD 220Ω ±5% 1/10W 0603 ROHS	11
R585,586,17,563,565,612,623,40 9,534	0700-063222-00	RES SMD 2.2KΩ ±5% 1/10W 0603 ROHS	9
R599	0700-063224-00	RES SMD 220KΩ ±5% 1/10W 0603 ROHS	1
R588,567,607	0700-063273-00	RES SMD 27KΩ ±5% 1/10W 0603 ROHS	3
R542,543	0700-063330-04	RES SMD 33Ω ±5% 1/10W YC164(0603x4) ROHS	2
R609	0700-063334-00	RES SMD 330KΩ ±5% 1/10W 0603 ROHS	1
R611,575,603,581,582,583	0700-063471-00	RES SMD 470Ω ±5% 1/10W 0603 ROHS	6

ELECTRICAL PARTS LIST-CONTNUED

Ref. No.	Part No.	Description	Q'ty
R584,606,571	0700-063472-00	RES SMD 4.7KΩ ±5% 1/10W 0603 ROHS	3
R15,18,415,406,408,559	0700-063473-00	RES SMD 47KΩ ±5% 1/10W 0603 ROHS	6
R404,410,416	0700-063560-00	RES SMD 56Ω ±5% 1/10W 0603 ROHS	3
R19,552,553,554,555	0700-063561-00	RES SMD 560Ω ±5% 1/10W 0603 ROHS	5
R562	0700-063562-00	RES SMD 5.6KΩ ±5% 1/10W 0603 ROHS	1
R401	0700-063563-00	RES SMD 56KΩ ±5% 1/10W 0603 ROHS	1
R621,407,411,414	0700-063750-00	RES SMD 75Ω ±5% 1/10W 0603 ROHS	4
R501,503	0700-085000-00	CHIP RES 0 OHM 00805+/-5% SMT ROHS	2
L503,522	0900-000100-54	INDUCTOR 10uH SMD 0805 ROHS	2
L500	0900-000220-54	INDUCTOR 22uH CD75 ⌀7X5MM SMT ROHS	1
L504~508,402~404,511~514,516 ~518,520,521	0900-070010-02	CHIP CI160808-IROK 0603 ROHS	17
L401	0900-070221-05	LINE CHOKE 220uH ⌀8X10H ROHS	1
	1121-702031-923	PCB D/S TV1872 SECAM BOX MB 142x94x1.2MM	1
VR500	1700-000103-00	SEMI-FIXED RES SMD 10K 0.15W EVM3Y ROHS	1
VR501	1700-000222-00	SEMI-FIXED RES SMD 2.2K 0.15W EVM3Y ROHS	1
U500	2500-078516-00	IC SOCKET SMD 44PIN P=1.27MM JingShi ROHS	1
Q500	0100-000435-00	TR NPN BD435S TO-126 FAIRCHLD ROHS	1
Q501	0100-009018-07	KTC9018(ROHS)	1
LED500	0200-030000-05	LED GREEN LUM=9MCD WL=565NM ⌀ 3MM ROHS	1
U501	0300-002248-02	IC TV PROCESSOR STV2248H (SDIP56) ROHS	1
X500	0400-011059-01	CRYSTAL 11.0592MHZ ±30PPM HC-49U/S 20PF SS-1896 ROHS	1
C700	0600-016477-02	E.CAP 470uF 16V 105 8X12 ROHS Z	1
T500	0800-050380-00	TV COIL 38M ROHS	1
SAW500	0900-002962-00	SAW FILTER (PIC) K2962M EPCOS ROHS	1
SAW501	0900-009453-00	SAW FILTER (SOU) L9453M EPCOS ROHS	1
X502	0900-050650-00	TV CERAMIC TRAP 6.5M ROHS	1
ANT500~503	1600-000130-35	3P RL-PHONE JACK ISLATED *3.5	4
CN500	2500-000900-01	13P DIN SOCKET BLACK ROHS	1
TU501	2900-007020-381X	TV TUNER TPQ-3EV8 BG/7 1/F/708 XINFA ROHS	1

ELECTRICAL PARTS LIST-CONTNUED

Ref. No.	Part No.	Description	Q'ty
Q500	3200-000369-00	13PIN DIN PLUG COM WITE 3M	1
	3500-040026-00	HEXAGON NUT M2.6 ROHS	1
	3900-A00401-30	BOTTOM COVER (S.BLACK) ROHS	1
	0		
Q500	3910-A00402-31	TOP COVER A005 FOR DVD7020	1
	W	(S.BLACK/WHITE) ROHS	
	4000-002604-20	SCREW ϕ 2.6X4 PH/MS BLACK ROHS	6
	4000-002608-01	SCREW ϕ 2.6X8 BH/MS ROHS	1
	4000-004016-21	SCREW ϕ 4x16 BA/ST BLACK ROHS	4
	5200-0T4310-00	LCD HOLDER ROHS	1
	8500-007008-01	BUBBLE BAG 7X8 W/PE(04) ROHS	1
	8500-010065-01	POLYBAG 6.5X10 W/PE(O4) MARK ROHS	1
	8500-035045-01	POLY BAG 3(1/2)X4(1/2) W/PE(04) MARK ROHS	1
	8700-017300-00	QC PASSED LABEL ROHS	1
8800-0T1872-00	TV1872 IM COMMON ROHS	1	
PC BOARD ASSY, SDK/CD REMOTE BOARD			
Q1	0100-001781-18	TR. 2SD1781K-R (ROHM) ROHS	1
D8/9	0200-004148-02	DIODE SMD RLS4148 LL-34 ROHM ROHS	2
IC1	0300-002222-00	IC PT2222-001 SOP ANGUS ROHS	1
C6	0500-063104-01	CER.CAP SMD 0.1uF 50V \pm 10% X7R 0603 ROHS	1
C3/4	0500-063121-00	CER.CAP SMD 120PF 50V \pm 5% NPO 0603 ROHS	2
R12/16	0700-063000-00	RES SMD 0 Ω \pm 5% 1/10W 0603 ROHS	2
	1121-702020-503	PCB REM D/S	1
S2	1600-001218-03	THK=1.0MM(137.5X45MM)(FR-4)	
LED1	0200-000334-00	MINI SLIDE SWITCH 1P 3T SMT ROHS	1
		INFRARED LED WL=940NM ϕ 3MM DYNA-LINK ROHS	1
C5	0600-063476-00	E.CAP 47UF/6.3V MM ROHS	1
XT1	0900-050455-05J	CER RESONATOR ZTB455E ROHS	1
	3900-0R5002-03	SPRING(+) ROHS	1
	3900-0R5003-00	SPRING(-) ROHS	1
	5100-NR2301-020	PANEL (BLACK) DVD7020 TOUCH SCREEN ROHS	1
RC23	5100-NR2302-000	PANEL BOT ROHS	1
RC23	5200-NR2303-000	BATTERY COVER ROHS	1

ELECTRICAL PARTS LIST-CONTNUED

Ref. No.	Part No.	Description	Q'ty	
RC23	5200-NR2304-00 0	BAND KNOB ROHS	1	
	5300-NR2305-00 0	LENS ROHS	1	
	8200-0R2306-09 W	RUBBER KNOB (BLACK/GREEN) DVD7020 FOR TOUCH SCREEN ROHS	1	
	8500-030009-01	POLY BAG 3X9 W/ PE(04) MARK ROHS	1	
PC BOARD ASSY, SDK/CD WIRING				
D901	0200-005401-00	DIODE IN5401 DO-27 ROHS	1	
C917	0500-000104-82	CER CAP 0.1UF 25V ±10% 5.2MM ROHS	1	
C918	0600-016108-00	E.CAP 1000uF 16V ±20% 10x15MM ROHS	1	
	1200-040281-920	PCB S/S (EI-28)TRANSFOMER W/O FUSE ROARD ROHS	1	
T901	1500-000028-00 C	TRANS EI-28 30.5x27.5x28MM ROHS	1	
	3100-016150-04	AWG#16 5X10X150MM YELLOW ROHS	1	
	3100-016150-10	AWG#16 5X10X150MM BLK ROHS	1	
	3100-016200-10	AWG#16 5X10X200MM BLKCK ROHS	1	
	3100-019360-03	19X0.14X2MM WIRE 360MM ORANGE ROHS	1	
	3100-019360-12	19X0.14X2MM WIRE 360MM PINK ROHS	1	
	5200-040532-00	CHOKE BOX ROHS	1	
	5400-001004-04	60MM+60MM 15A FUSE +80MM YELLOW ROHS	1	
	ACC	5400-019005-02	19# 325MM W/TER MALE 0.5A RED ROHS	1
	RL+	3100-019360-05	19X0.14X2MM WIRE 360MM GRN ROHS	1
POWER ANT	3100-019360-06	19X0.14X2MM WIRE 360MM BLUE ROHS	1	
RR+	3100-019360-07	19X0.14X2MM WIRE 360MM PURPLE ROHS	1	
FR+	3100-019360-08	19X0.14X2MM WIRE 360MM GREY ROHS	1	
FL+	3100-019360-09	19X0.14X2MM WIRE 360MM WHITE ROHS	1	
RL-	3100-019360-50	19X0.14X2MM 360MM GREEN/BLACK ROHS	1	
RR-	3100-019360-70	19X0.14X2MM 360MM WIRE PUR/BLK ROHS	1	
FR-	3100-019360-80	19X0.14X2MM 360MM GRY/BLACK ROHS	1	
FL-	3100-019360-90	19X0.14X2MM 360MM WHT/BLK ROHS	1	

ELECTRICAL PARTS LIST-CONTNUED

Ref. No.	Part No.	Description	Q'ty
PC BOARD ASSY, SDK/CD TOUCH BOARD			
Q401	0100-000812-00	TR PNP 2SA812 SOT-23 KEC ROHS	1
402/3,5,2,Q4	0100-001623-00	TR NPN 2SC1623 SOT-23 NEC ROHS	5
U8	R 0100-002310-00	N-CHANNEL SINGLE MOSFET AP2310GN ROHS	1
Q602~4	0100-003906-00	TR PNP 2N3906 SOT-23 ROHS	3
U9	0100-004672-00	TR SMD 2SC 4672Q ROHS	1
ZD303	0200-000335-00	DIODE MA335 SMD PANASONIC ROHS	1
D3,4,630~634,6,10,7,8,11	0200-004148-02	DIODE SMD RLS4148 LL-34 ROHM ROHS	12
D2,9,121	0200-005819-02	DIODE IN5819 SOD-106 ROHS	3
ZD302,Z4	0200-050051-03	ZENER DIODE SMD 5.1V 0.5W ±5% LL-34 ROHS	2
ZD1	0200-050100-02	ZENER DIODE SMD 10V 0.5W ±5% LL-34 ROHS	1
Z2	0200-050150-02	CHIP ZENER DIODE 15V (SMD 1206) 0.5W ROHS	1
Z3	0200-050182-00	CHIP ZENER DIODE 8.2V 0.5W ROHS	1
IC204	0300-000331-00	IC CHIP IR3Y31M SHARP ROHS	1
Q7	0300-001117-01	FIX 3.3V VOLTAGE REGVLATER AMS1117-3.3 ROHS	1
Q1	0300-001275-00	XP 132A1275SR SOP-8 POWEER MOSFET	1
IC111	0300-001410-00	IC MP1410 SOIC8 MPS ROHS	1
U7	0300-002107-00	IC NJM2107F JRC ROHS	1
IC803	0300-002416-01	IC CHIP AT24C16 SOP8 ATMEL ROHS	1
IC403	0300-003414-00	IC CHIP NJM3414AM JRC ROHS	1
IC93	0300-003800-01	IC CHIP MB3800 SOP8 FUJITSU ROHS	1
IC202,4053,U1,U600	0300-004053-04	74HC 4053D SMD	4
U4	0300-007035-01	IC KIA7035AF SOF-89 ROHS	1
	7606 0300-007606-00	IC BA7606F ROHS	1
U6	0300-007843-47	IC ADS7843E SS0P16 BB ROHS	1
IC85	0300-008806-01	IC HX8806A (HIMAX) ROHS	1
IC59	0300-009950-00	IC QZ9950GN LED B/L CTRL SOP8 ROHS	1
IC800	0300-017805-00	IC CHIP BA178M05FP ROHM ROHS	1
U2	0300-029160-70	FLASH A29L016UV-70 IR A29L160AUV-70(AMIC) ROHS	1
U1601	0300-074735-00	IC LC74735NWH 3220-SQF80 (SANYO) ROHS	1
Y1	0400-000016-02M	CRYSTAL 16MHZ SMD 4PIN 20PPM 20PF 6X5X1MM	1

ELECTRICAL PARTS LIST-CONTNUED

Ref. No.	Part No.	Description	Q'ty
Y501	0400-003579-00	CRYSTAL 3.579MHZ +/-30PPM HC-49U/SM 20pf SM-1207 ROHS	1
Y502	0400-004433-00	CRYSTAL 4.433MHZ +/-30PPM HC-49U/SM 20pf SM-1206 ROHS	1
C414,514/6/8,2	0500-003225-10	CER.CAP SMD 2.2uF 25V ±20% X7R 1206 ROHS	5
C11	0500-012475-00	CER.CAP SMD 4.7uF 35V ±10% 1206 ROHS	1
C670/5/6,698,643,682,74	0500-016105-00	TAN CAP SMD 1uF 16V ±10% 3.2x1.6x1.6MM ROHS	7
C418,17,502	0500-016106-10	TAN CAP SMD 10uF 16V ±10% 3.2x1.6x1.6MM ROHS	3
C54	0500-063100-00	CER.CAP SMD 10PF 50V ±5% NPO 0603 ROHS	1
C509,15,22,39	0500-063101-00	CER.CAP SMD 100PF 50V ±5% NPO 0603 ROHS	4
C625,72	0500-063102-02	CHIP 1000PF +/-10% 50V COG SMT0603 ROHS	2
C511,241,38	0500-063103-01	CER.CAP SMD 0.01uF 50V ±10% X7R 0603 ROHS	3
C271,508,506,507,16,84,249~25 1,263~266,280,281,410,409,10,4 11,415,600,173,56,62,64,53,4,82, 91,270,272,42,71,47,46,65,77,17 6,85,519,24,83,36,27,30,49,59,57 ,402,403,256,257,70	0500-063104-01	CER.CAP SMD 0.1uF 50V ±10% X7R 0603 ROHS	53
C52,501,513,515,517,524,525,18 ,150,148,149,19,20,1,21,684,852, 893,862,872,69,73,67,66,26	0500-063105-00	CER.CAP SMD 1uF 25V ±20% Y5V 0603 ROHS	25
R515,C865,C866	0500-063220-00	CER.CAP SMD 22PF 50V ±5% NPO 0603 ROHS	3
C51,416/7	0500-063221-00	CER.CAP SMD 220PF 50V ±5% NPO 0603 ROHS	3
C55	0500-063222-00	CER.CAP SMD 2200PF 50V ±5% NPO 0603 ROHS	1
C33,622,641,40,111,648	0500-063223-00	CER.CAP SMD 0.022uF 50V ±5% NPO 0603 ROHS	6
C505	0500-063224-01	CER.CAP SMD 0.22uF 16V ±10% X7R 0603 ROHS	1
C48	0500-063471-00	CER.CAP SMD 470PF 50V ±5% NPO 0603 ROHS	1
C504,34	0500-063473-01	CER.CAP SMD 0.047uF 50V ±10% X7R 0603 ROHS	2

ELECTRICAL PARTS LIST-CONTNUED

Ref. No.	Part No.	Description	Q'ty
C512	0500-063474-00	CER.CAP SMD 0.47uF 16V +80/-20% Y5V 0603 ROHS	1
C54	0500-063560-00	CER.CAP SMD 56PF 50V ±5% NPO 0603 ROHS	1
C58	0500-063561-00	CER.CAP SMD 560PF 50V ±5% NPO 0603 ROHS	1
C503	0500-063681-00	CER.CAP SMD 680PF 50V ±5% NPO 0603 ROHS	1
C523	0500-063682-00	CER.CAP SMD 6800PF 50V ±10% X7R 0603 ROHS	1
C412,431	0600-010476-55	TAN CAP CMD 47uF 10V ±10% 3.5x2.8x1.9MM ROHS	2
C81,87,182	0600-016107-55	TAN CAP SMD 100uF 16V ±10% 7.3x4.3x2.8 ROHS	3
C61,63,236,44,37,28,7,235,76,41 ,8,12,14	0600-016226-55	TAN CAP 22U/16V SMD(3.5X2.8X2.0MM) ROHS	13
C93,78,79,80,90,6,45,9,31,623,9 2,876,23,50,60,725,726,225,68,1 11	0600-063107-55	TAN CAP SMD 100uF 6.3V ±10% 3.5x2.8x2.0 ROHS	20
R1,471,510,522,443,439,410,26, 59,52,65,70,71,72,67	0700-063000-00	RES SMD 0Ω ±5% 1/10W 0603 ROHS ROHS	15
R30,68	0700-063000-04	CHIP CN34JT (0603X4 SMT) ROHS	2
R57,42	0700-063100-00	RES SMD 10Ω ±5% 1/10W 0603 ROHS	2
R482,512,524,429,64,342,345,42 6,416,418,420,C13,R34,19,430,5 02	0700-063101-00	RES SMD 100Ω ±5% 1/10W 0603 ROHS	16
R525,918,56,657,608,609,291,29 3,285,340	0700-063102-00	RES SMD 1KΩ ±5% 1/10W 0603 ROHS	10
R466,468,470,475,477,402,53,51 1,849,850,872,852,624,620,613,6 52,612,601,641,643,RM39,280,2 9,2,13,27,45,507,37,341,182,183, 180,181,185,186,453,3,286,861,2 98,299,72	0700-063103-00	RES SMD 10KΩ ±5% 1/10W 0603 ROHS	43
R25,48,6,4,35,36	0700-063103-04	RES SMD 10KΩ ±5% 1/10W YC164(0603x4) ROHS	6
R60,232,46	0700-063104-00	RES SMD 100KΩ ±5% 1/10W 0603 ROHS	5
R508,528,352,343,832	0700-063105-00	RES SMD 1M ±5% 1/10W 0603 ROHS	5
R503,648	0700-063106-00	RES SMD 10M ±5% 1/10W 0603 ROHS	2
R891,871,856	0700-063122-00	RES SMD 1.2KΩ ±5% 1/10W 0603 ROHS	3
	0700-063152-00	RES SMD 1.5KΩ ±5% 1/10W 0603 ROHS	1
R481,478,480,509,339,153	0700-063153-00	RES SMD 15KΩ ±5% 1/10W 0603 ROHS	6

ELECTRICAL PARTS LIST-CONTNUED

Ref. No.	Part No.	Description	Q'ty
R526	0700-063183-00	RES SMD 18K Ω \pm 5% 1/10W 0603 ROHS	1
R479	0700-063204-00	CHIP RES 200K 0603 SMT ROHS	1
R671/2,633,7	0700-063221-00	RES SMD 220 Ω \pm 5% 1/10W 0603 ROHS	4
R50,41,892	0700-063222-00	RES SMD 2.2K Ω \pm 5% 1/10W 0603 ROHS	3
R297,16,31	0700-063223-00	RES SMD 22K Ω \pm 5% 1/10W 0603 ROHS	3
R349	0700-063243-00	RES SMD 24K Ω \pm 5% 1/10W 0603 ROHS	1
R501	0700-063271-00	RES SMD 270 Ω \pm 5% 1/10W 0603 ROHS	1
R54,22	0700-063272-00	RES SMD 2.7K Ω \pm 5% 1/10W 0603 ROHS	2
R467	0700-063303-00	RES SMD 30K Ω \pm 5% 1/10W 0603 ROHS	1
R61,62	0700-063330-00	RES SMD 33 Ω \pm 5% 1/10W 0603 ROHS	2
SNR108~115,R63,SNR1	0700-063330-04	RES SMD 33 Ω \pm 5% 1/10W YC164(0603x4) ROHS	10
R188,696	0700-063332-00	RES SMD 3.3K Ω \pm 5% 1/10W 0603 ROHS	2
R296,313	0700-063333-00	RES SMD 33K Ω \pm 5% 1/10W 0603 ROHS	2
R504	0700-063334-00	RES SMD 330K Ω \pm 5% 1/10W 0603 ROHS	1
R412/3	0700-063390-00	RES SMD 39 Ω \pm 5% 1/10W 0603 ROHS	2
R473,R55	0700-063391-00	RES SMD 390 Ω \pm 5% 1/10W 0603 ROHS	2
R290,292,43	0700-063392-00	RES SMD 3.9K Ω \pm 5% 1/10W 0603 ROHS	3
R476,294	0700-063393-00	RES SMD 39K Ω \pm 5% 1/10W 0603 ROHS	2
R47	0700-063471-00	RES SMD 470 Ω \pm 5% 1/10W 0603 ROHS	1
R517,519,521,347,348,604,33,50 5,38,851,469,862,437	0700-063472-00	RES SMD 4.7K Ω \pm 5% 1/10W 0603 ROHS	13
R28,895,51,154,73	0700-063473-00	RES SMD 47K Ω \pm 5% 1/10W 0603 ROHS	5
R23	0700-063512-00	RES SMD 5.1K Ω \pm 5% 1/10W 0603 ROHS	1
R278,875	0700-063513-00	RES SMD 51K Ω \pm 5% 1/10W 0603 ROHS	2
R407,474,404,431,204/5,415/7,4 21/2/3/5,865,58,69	0700-063561-00	RES SMD 560 Ω \pm 5% 1/10W 0603 ROHS	15
R516,518,520,24	0700-063562-00	RES SMD 5.6K Ω \pm 5% 1/10W 0603 ROHS	4
R514	0700-063563-00	RES SMD 56K Ω \pm 5% 1/10W 0603 ROHS	1
R635	0700-063680-00	RES SMD 68 Ω \pm 5% 1/10W 0603 ROHS	1
R40	0700-063682-00	RES SMD 6.8K Ω \pm 5% 1/10W 0603 ROHS	1
R277,312	0700-063683-00	RES SMD 68K Ω \pm 5% 1/10W 0603 ROHS	2
R527	0700-063684-00	RES SMD 680K Ω \pm 5% 1/10W 0603 ROHS	1
R513,308,279	0700-063822-00	RES SMD 8.2K Ω \pm 5% 1/10W 0603 ROHS	3
R350/1,39	0700-063823-00	RES SMD 82K Ω \pm 5% 1/10W 0603 ROHS	3
R49,295	0700-063912-00	RES SMD 9.1K Ω \pm 5% 1/10W 0603 ROHS	2
R20	0700-085010-00	RES SMD 1 Ω \pm 5% 1/8W 0805 ROHS	1
L17,7,18	0900-000100-54	INDUCTOR 10uH SMD 0805 ROHS	3
L609,612,625,606,14,12,13,16,3	0900-000101-54	INDUCTOR 100uH SMD 1210 ROHS	9

ELECTRICAL PARTS LIST-CONTNUED

Ref. No.	Part No.	Description	Q'ty
L501,502,19	0900-000220-54	INDUCTOR 22uH SMD 1210 ROHS	3
L5,8,10,11,119,4,15	0900-000220-55	INDUCTOR CD53-22uH 1.25A H=3.8MM ROHS	7
L6/120	0900-000470-55	INDUCTOR CDH5828-47uH 610MM (RATED) 6X3MM SMD ROHS	2
L1,2	0900-000601-00	CHIP BG2012B601LB ROHS	2
L113	0900-010113-02	CDH124-100UH 2.3A (MAX) H=4.5MM ROHS	1
L303	0900-070018-54	CHIP WIREING 1.8 SMD1210 ROHS	1
	1121-702022-543	DVD7020 DRIVER (7")BOARD 155X116X1.0MM	1
VR215/6,501,210/1/2,402/3,1,302	1700-000103-00	SEMI-FIXED RES SMD 10K 0.15W EVM3Y ROHS	10
CN3	2500-001805-01	18PIN CON 0.5MM(DOWN CONTACT)(FZ18-0.5-TWS) ROHS	1
CN1	2500-002605-00	26PIN CON 0.5MM(FPC-0.5-26PX)	1
CON3	2500-005200-02	SOCKET SMD 3PIN (3-1) P=2MM ROHS	1
J1	2500-036901-16	CON CHIP 16PIN PITCH-0.5MM FPC (UPCONTACT)	1
CN32	2500-702004-01	SOCKET SMD 4PIN PITCH=0.5MM BOTTOM CONTACT HORI- TYPE ROHS	1
CN25	2500-721036-01	CON CHIP 36PIN FPC PITCH=0.5MM (UP CONTACT) ROHS	1
F1	3300-600320-03B	FUSE SMT 1206(466003)3A32V COMMAN-TYPE ROHS	1
	2700-003690-13	INNO AT070TN07V.A 7 TFT LED BACKLIGHT ROHS	1
	2710-702060-720B	TFT TOUCH 164.7X99.8X1.4MM SIMULATE TD-746A BEITAI ROHS	1
	3200-020050-10	AWG#20 WIRE 50MM BLACK W/PLATE ROHS	1
	4000-012003-09H	SCREW ϕ 2X3 CH/MS BLACK ROHS	1

SPECIFICATIONS

T. H. D	Less than 0.35%
Signal to Noise Ratio.....	More than 60 dB
Channel Separation.....	More than 50 dB
Frequency Response	20Hz-20kHz
Stereo Separating (FM).....	30 dB (at 1kHz)
Signal to Noise Ratio (FM)	Better than 50 dB
Output Power	4 X 40W
Speaker Output Impedance	4 To 8 ohm
Power Source.....	DC 12V, Negative ground.
Frequency Range.....	FM 65.0 – 74.0MHz (FM 87.5 – 108.0MHz)
.....	MW 522-1620 kHz
Sensitivity	FM 3 μ V (S/N=30dB)
.....	MW 32 dB μ (S/N=20 dB)

Specifications are subject to change without notice.